

lightly


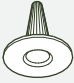
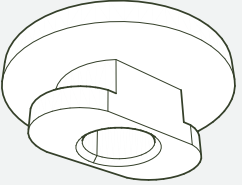
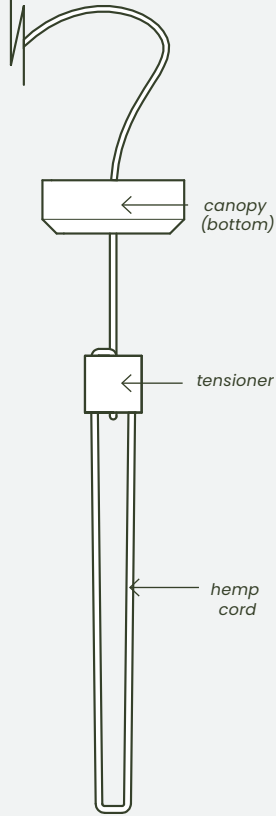
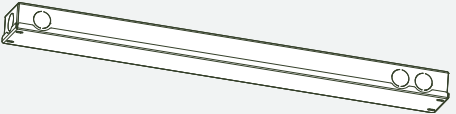
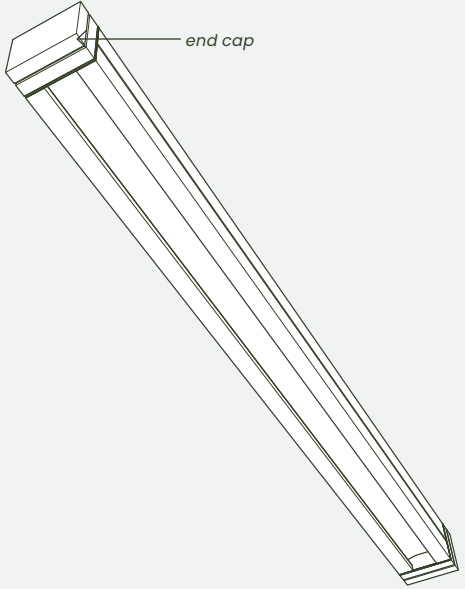
glow

installation guide for direct / indirect
standalone applications



what's provided?

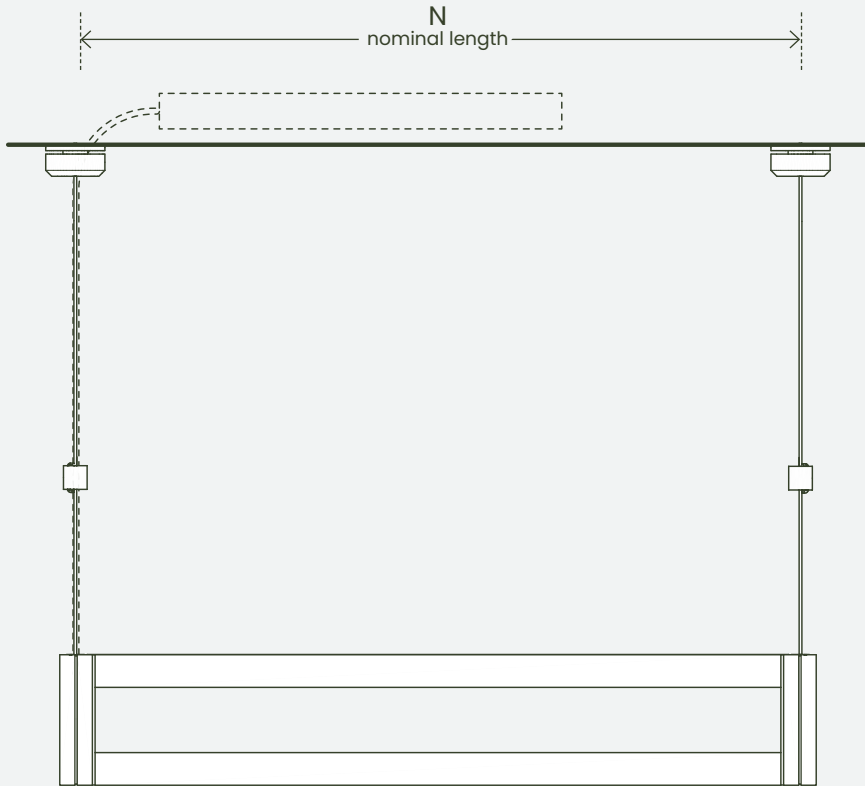
- Installation must be performed by a licensed electrician familiar with all local codes and relevant site requirements. Site conditions suitable for the specified product and adherence to code are the responsibility of installer.
- Follow the installation instructions provided. Failure to follow provided installation instructions could result in product damage or failure.
- Before installing, inspect luminaire, power wire, and suspension cordage for any damage that may have occurred during transport and unpacking. Do not install damaged product or components.
- To avoid electric shock always disconnect power when installing or servicing fixture.
- Ceiling conditions, support structure, and appropriate fasteners for ceiling substrate must be adequate for fixture weight and specifications.
- It is highly recommended to handle wood product with nitrile or other non-marring gloves.
- Clean wood surfaces only with dry cloth. Do not use water, solvents, or abrasive pads as they could permanently damage the natural wood finish.

 <p>t-bar clip & 1/4 20 nut (if specified)</p>	 <p>bushing</p>	 <p>canopy (top)</p>
 <p>canopy (bottom)</p> <p>tensioner</p> <p>hemp cord</p> <p>suspension assembly</p>		 <p>driver box</p>
		 <p>end cap</p> <p>fixture body</p>

1

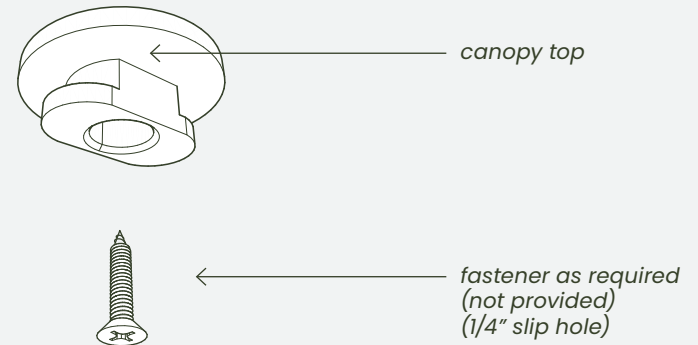
Mount canopy tops to ceiling structure:

Use fixture nominal length (N) to locate suspension mounting points.

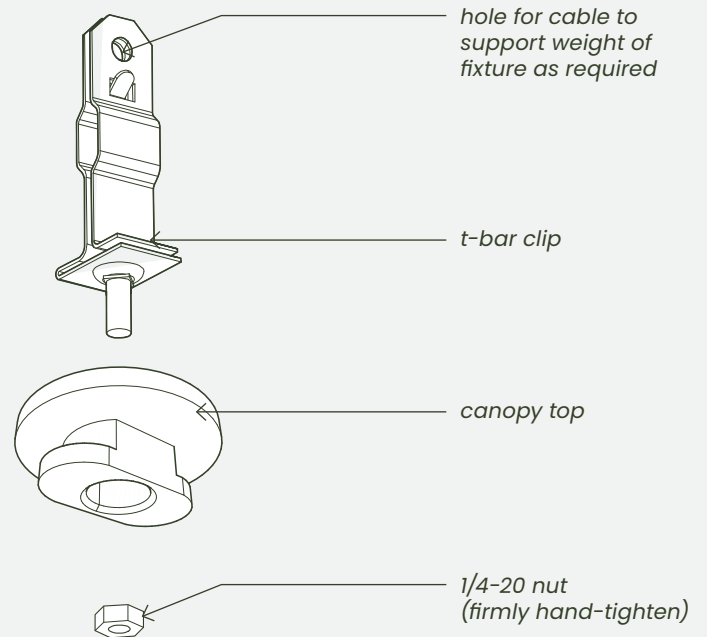


standalone run

for hard ceiling, unistrut, drywall:



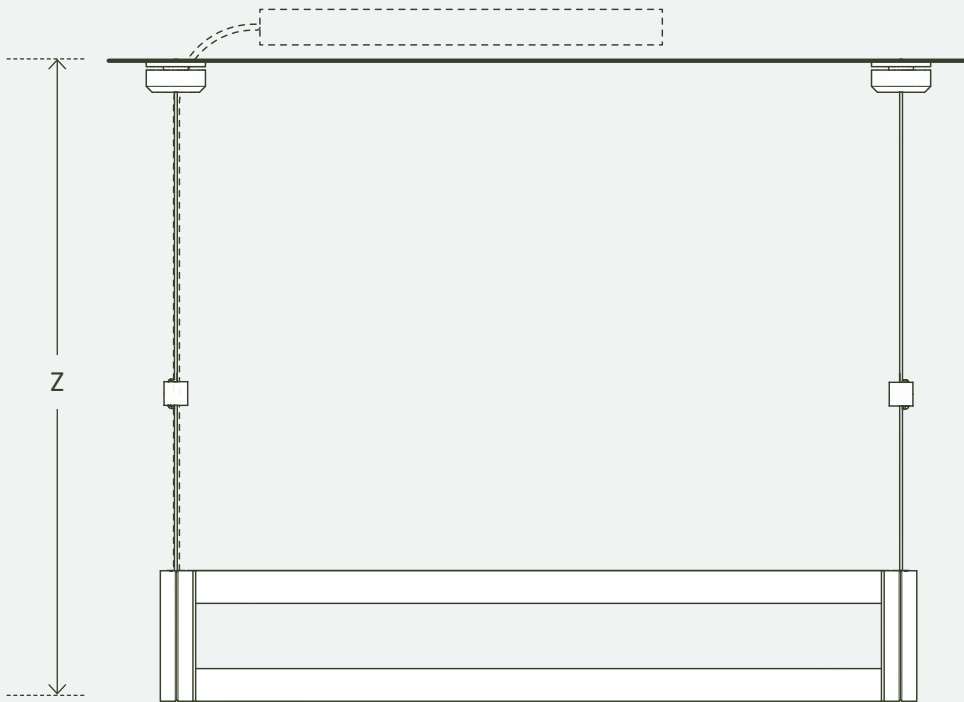
for 15/16" T-bar grid ceiling:



2

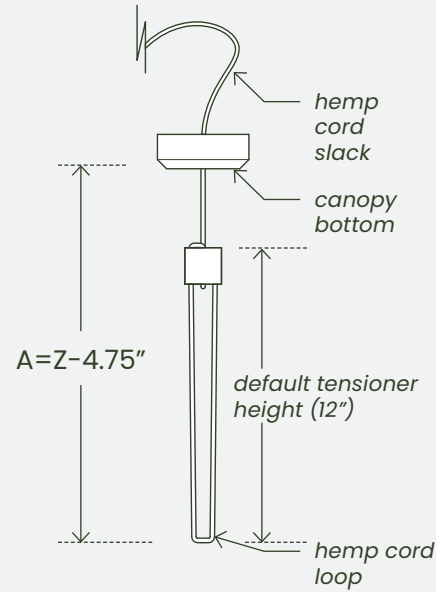
Adjust suspension assembly lengths:

Pull hemp cord through canopy bottom and tie stopper knot as indicated. Subtract 4.75" from your desired drop height (Z) for your suspension assembly height (A), measured from bottom of canopy bottom to hemp cord loop. Trim excess hemp cord slack. (Fine adjustments of +/- 1" can be made in Step 6)

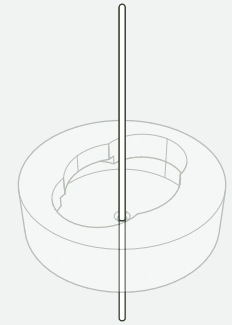


standalone fixture

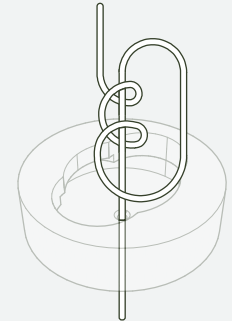
suspension assembly (end):



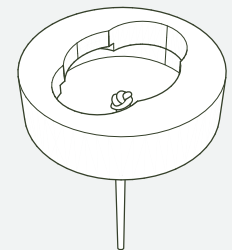
a. pull cord slack to achieve dimension (A)



b. double overhand stopper knot required:



c. tug cord to ensure knot is tight and seated in canopy, then cut slack

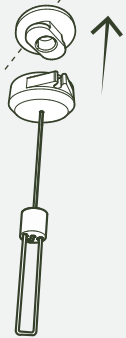
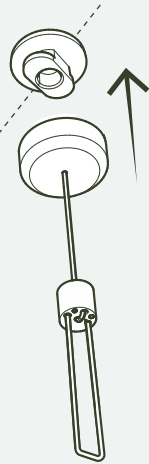
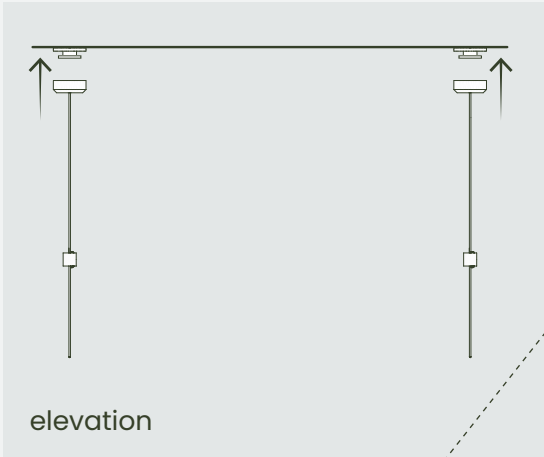


3

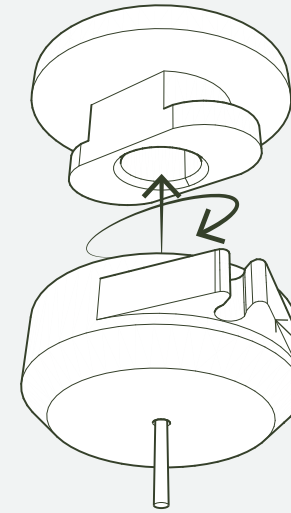
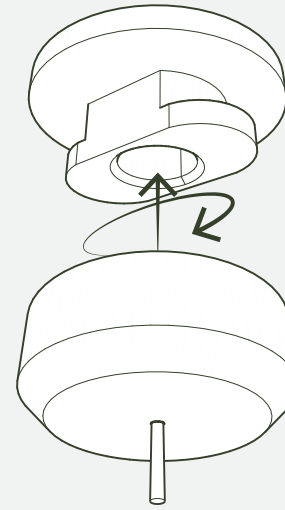
Attach suspension assemblies to canopy tops:

tops:

Insert and rotate canopy bottoms into respective canopy tops, then rotate canopy bottoms to lock.

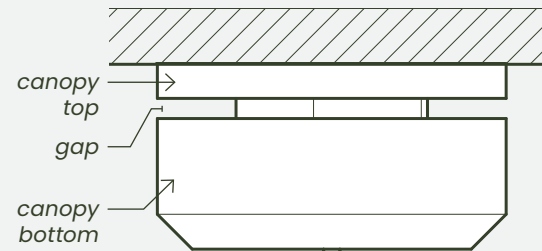


insert canopy bottom into canopy top and rotate to lock:



canopy bottom with cord grip for drop locations. orient canopy top for desired power cord routing.

ensure canopy is in locked position:



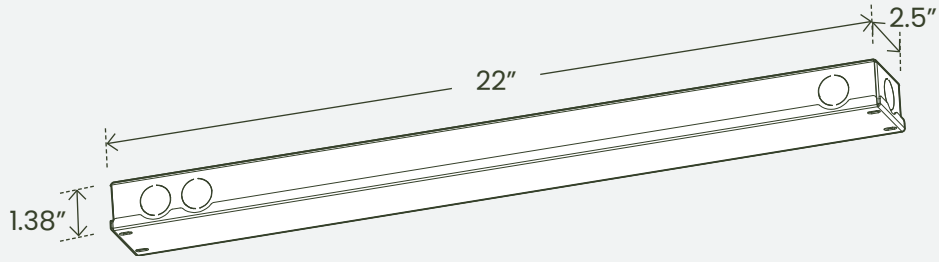
when canopy is in locked position, there will be a 1/8" gap between canopy top and canopy bottom. canopy bottom will not rotate once locked.

canopy detail

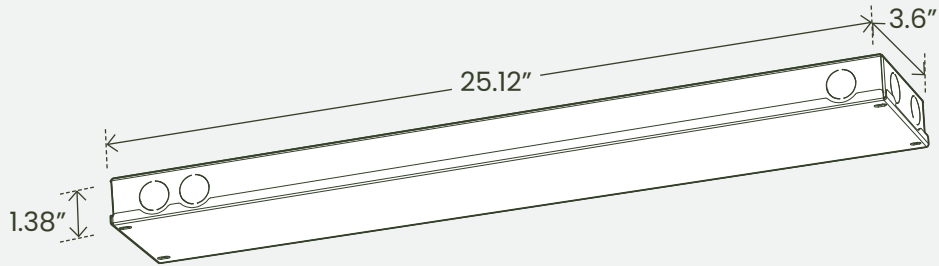
4

Install driver box:

Driver may be installed on bottom of ceiling or at remote location.

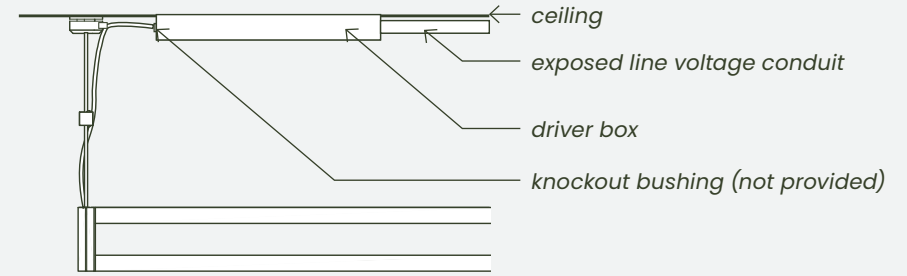


*1up driver box
for static white applications*

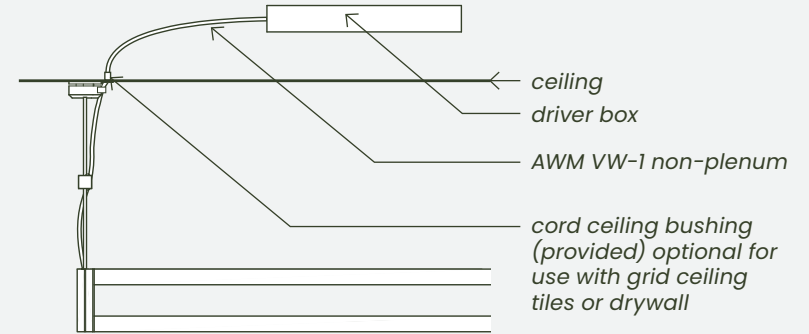


*2up driver box
for tunable white applications*

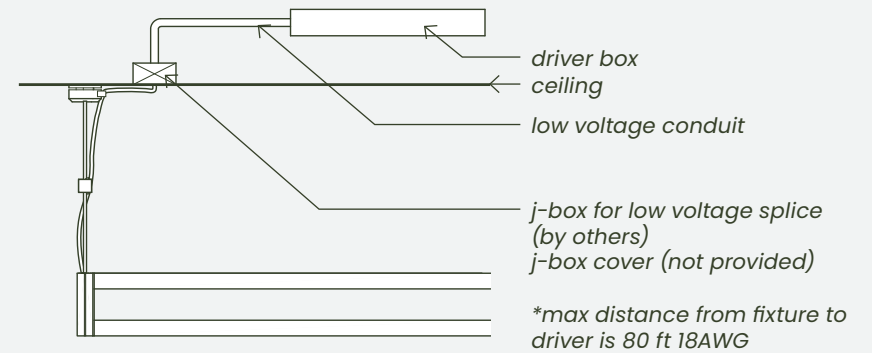
ceiling mount installation:



remote mount installation:



remote mount installation with j-box:

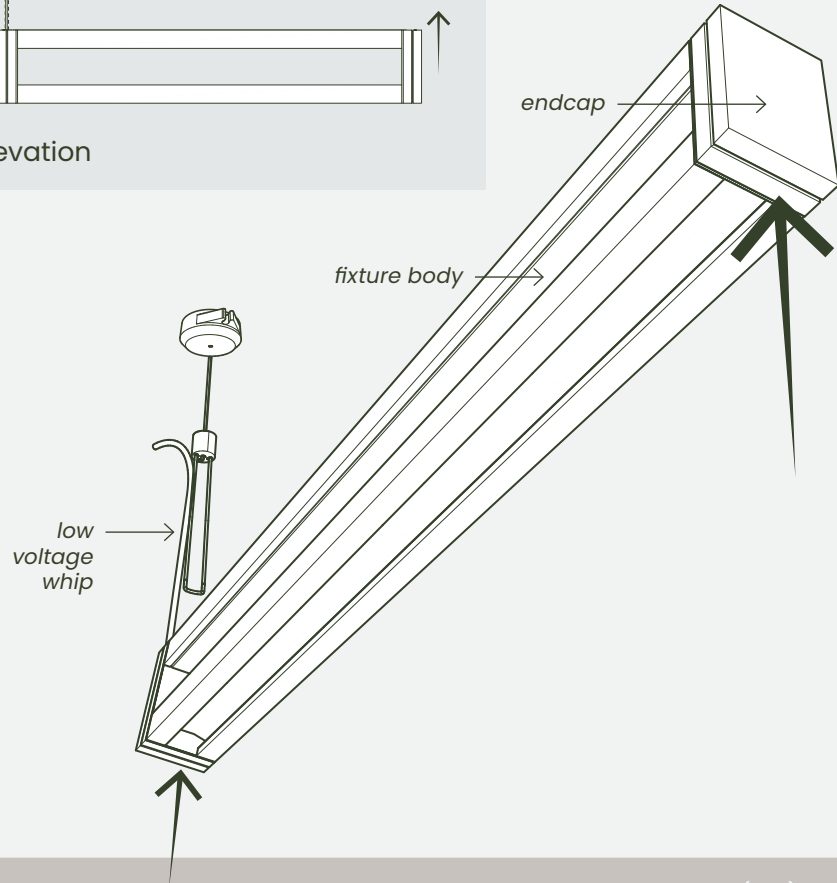
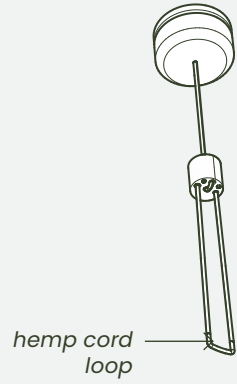
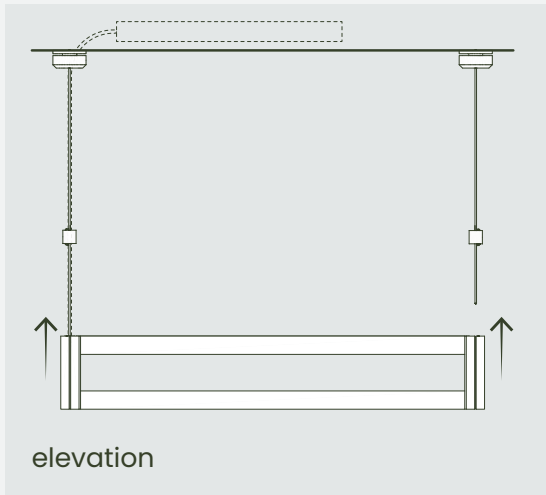


5

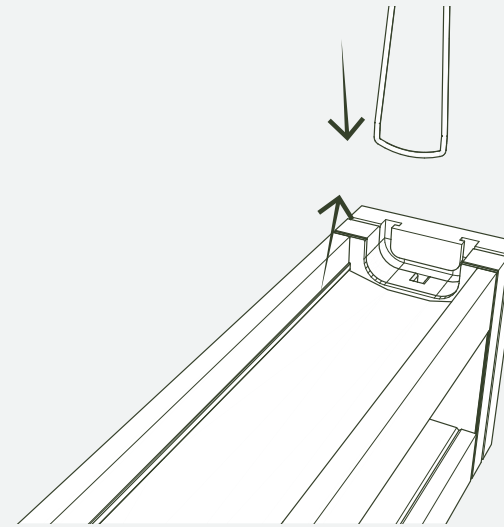
(suspension to endcap connection)

Attach fixture body to suspension assemblies:

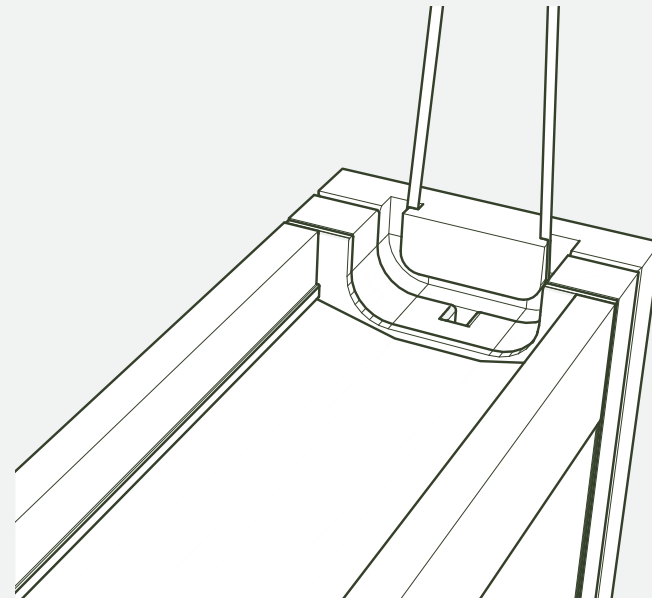
Secure hemp cord loop around endcap feature as indicated.



run hemp cord loop through cavity:



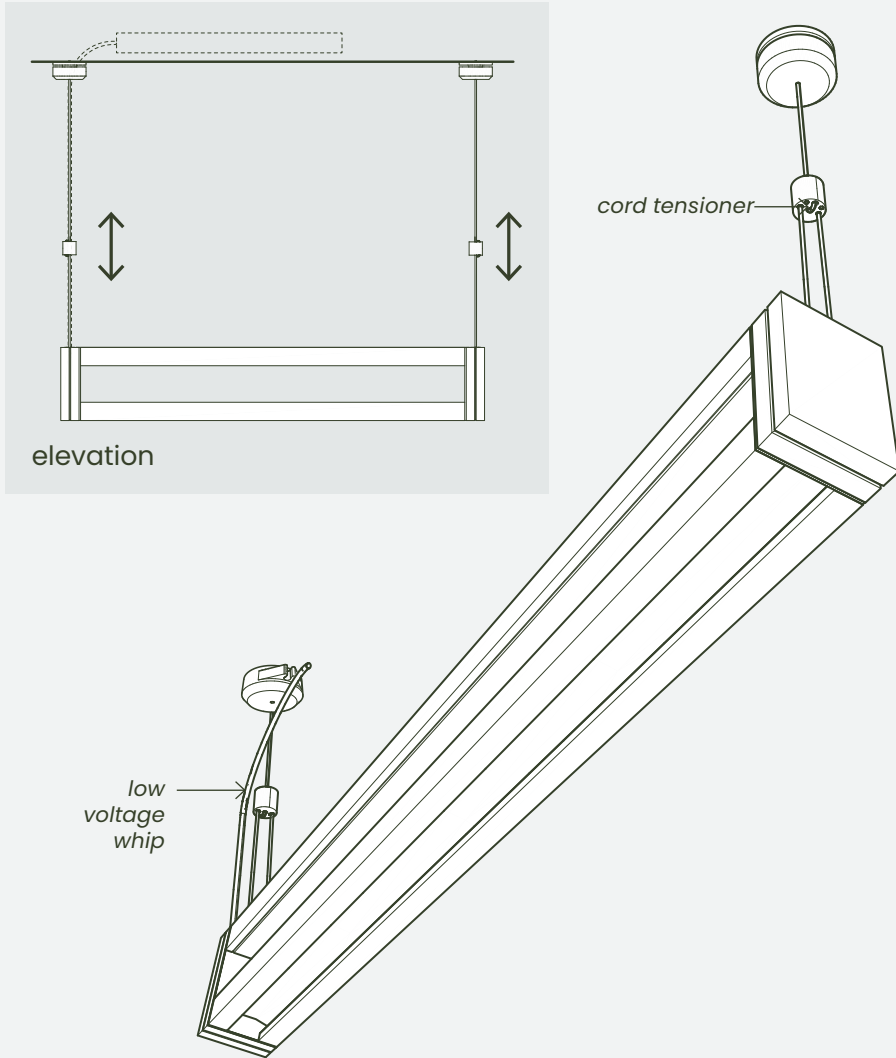
ensure hemp cord loop is secure:



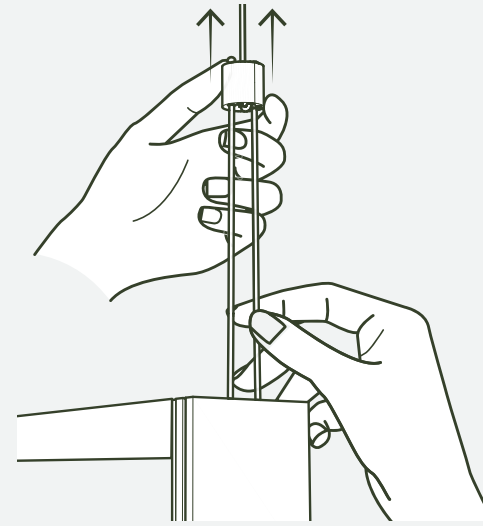
6

Level fixtures:

Use cord tensioners to ensure fixture is level.

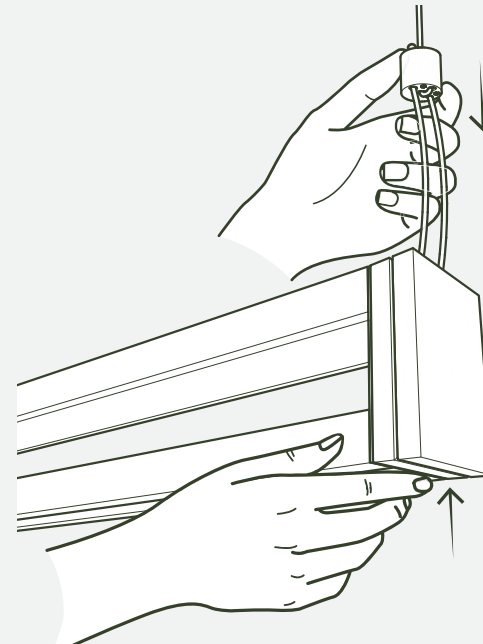


to raise fixture end:



Grip the non-knotted side of the cord loop and gently slide the tensioner up.

to lower fixture end:

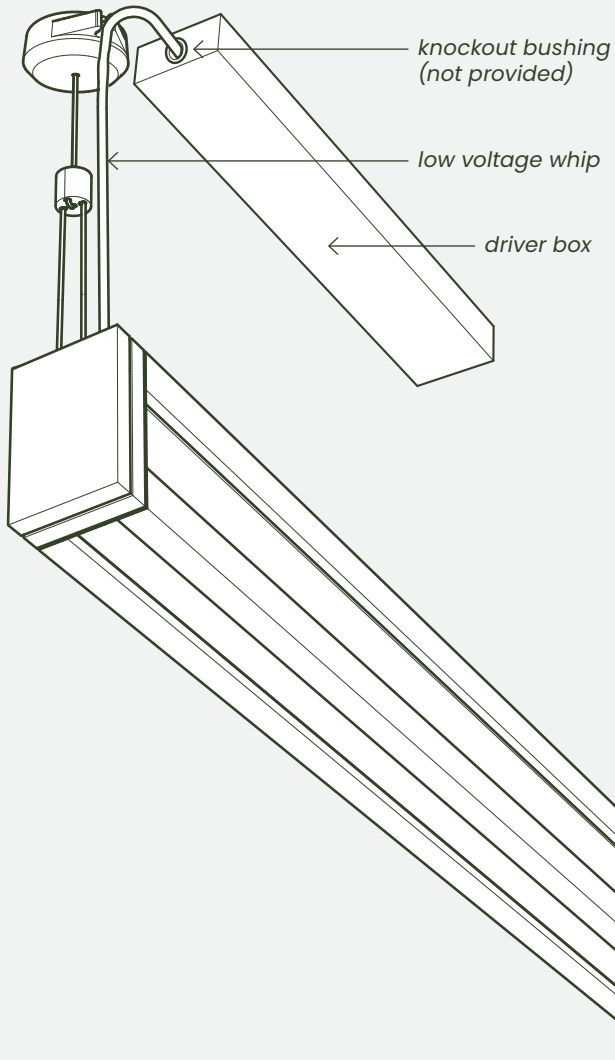


Lift the fixture body slightly and gently slide the tensioner down.

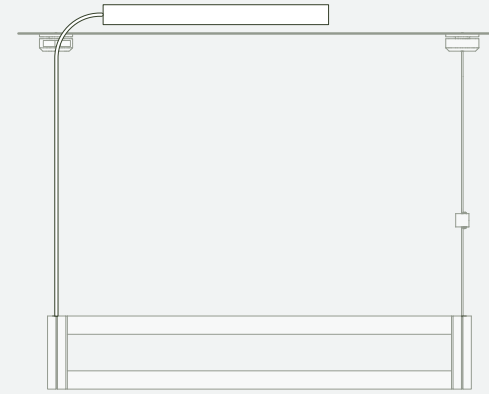
7

Connect to power:

Run low voltage whip to driver box and complete wiring connections as indicated in wiring guide.



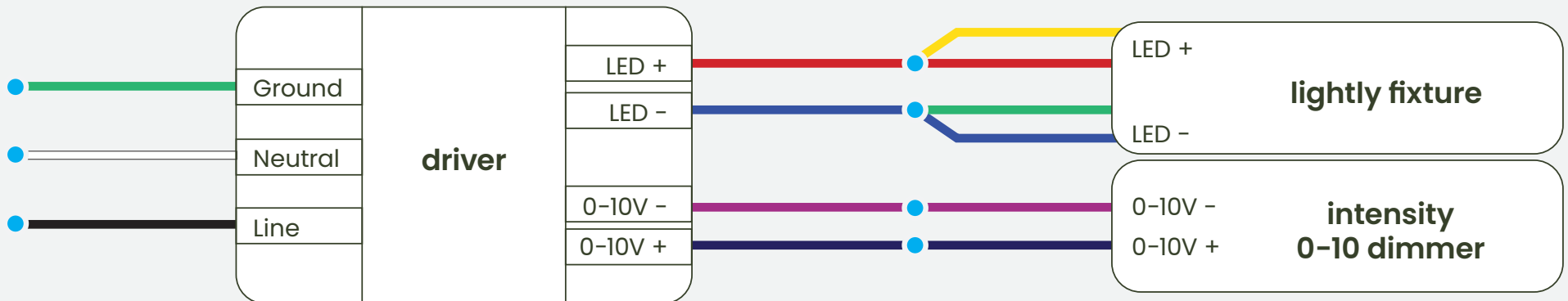
standalone:



wiring guide

Do not connect lightly unit directly to line voltage. This will result in permanent damage and all warranty will be void.

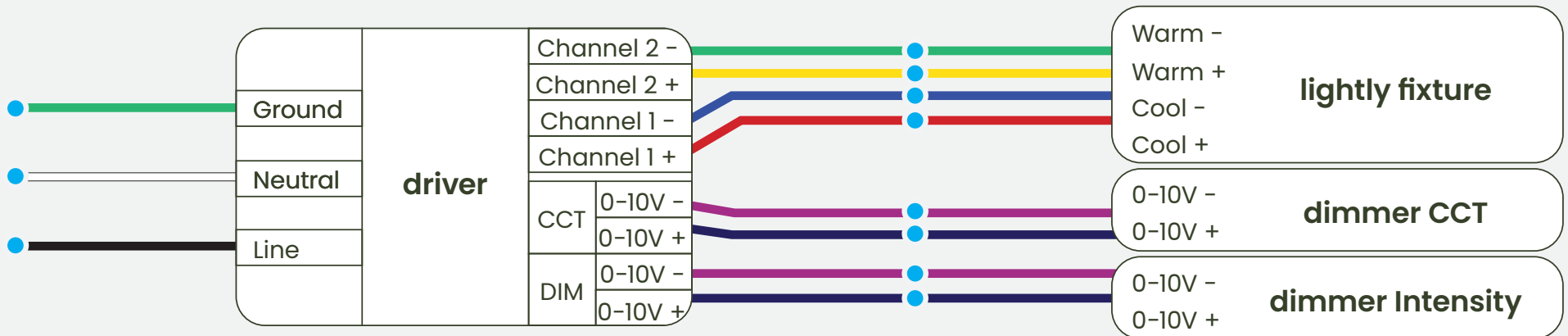
static CCT
0-10V control



wiring guide

Do not connect lightly unit directly to line voltage. This will result in permanent damage and all warranty will be void.

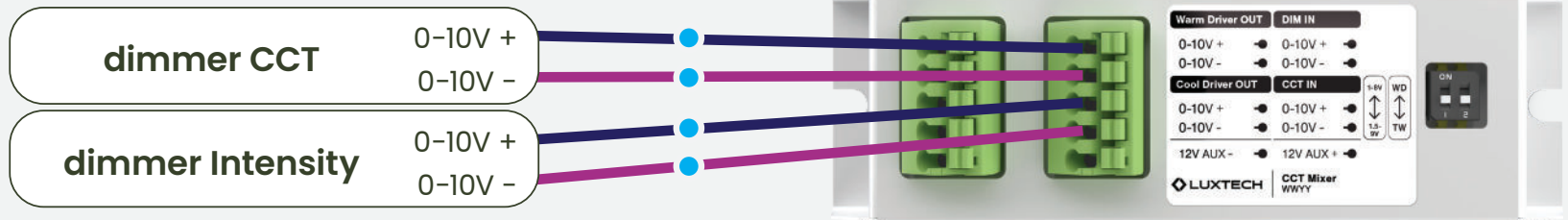
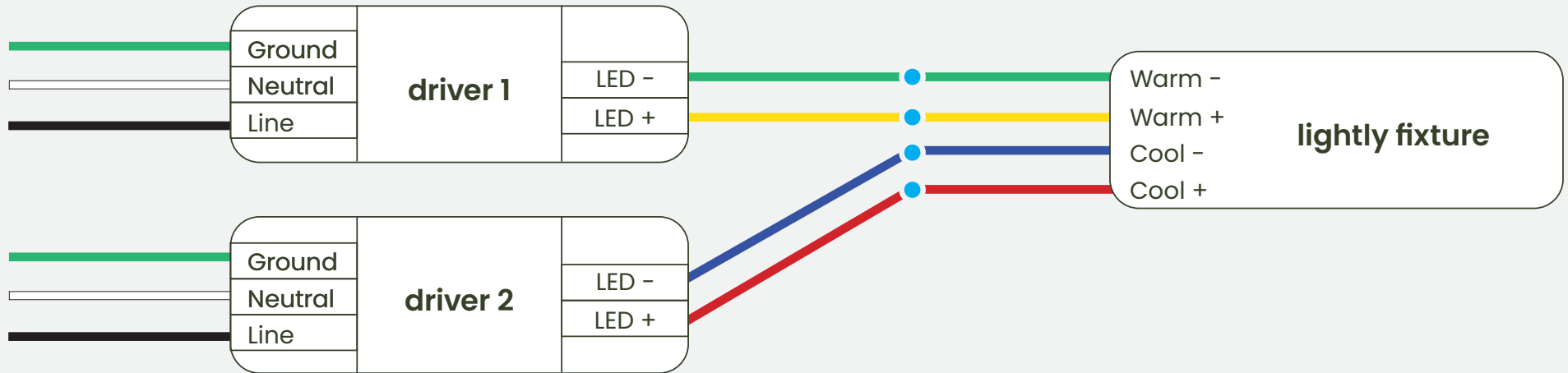
tunable white (fixture <50W)
0-10V control



wiring guide

Do not connect lightly unit directly to line voltage. This will result in permanent damage and all warranty will be void.

tunable white (fixture >50W)
0-10V control



Note: CCT Mixer Device is installed by Lightly and pre-wired to the LED Drivers. Only the wire connections required to be made by EC are displayed.