

lightly

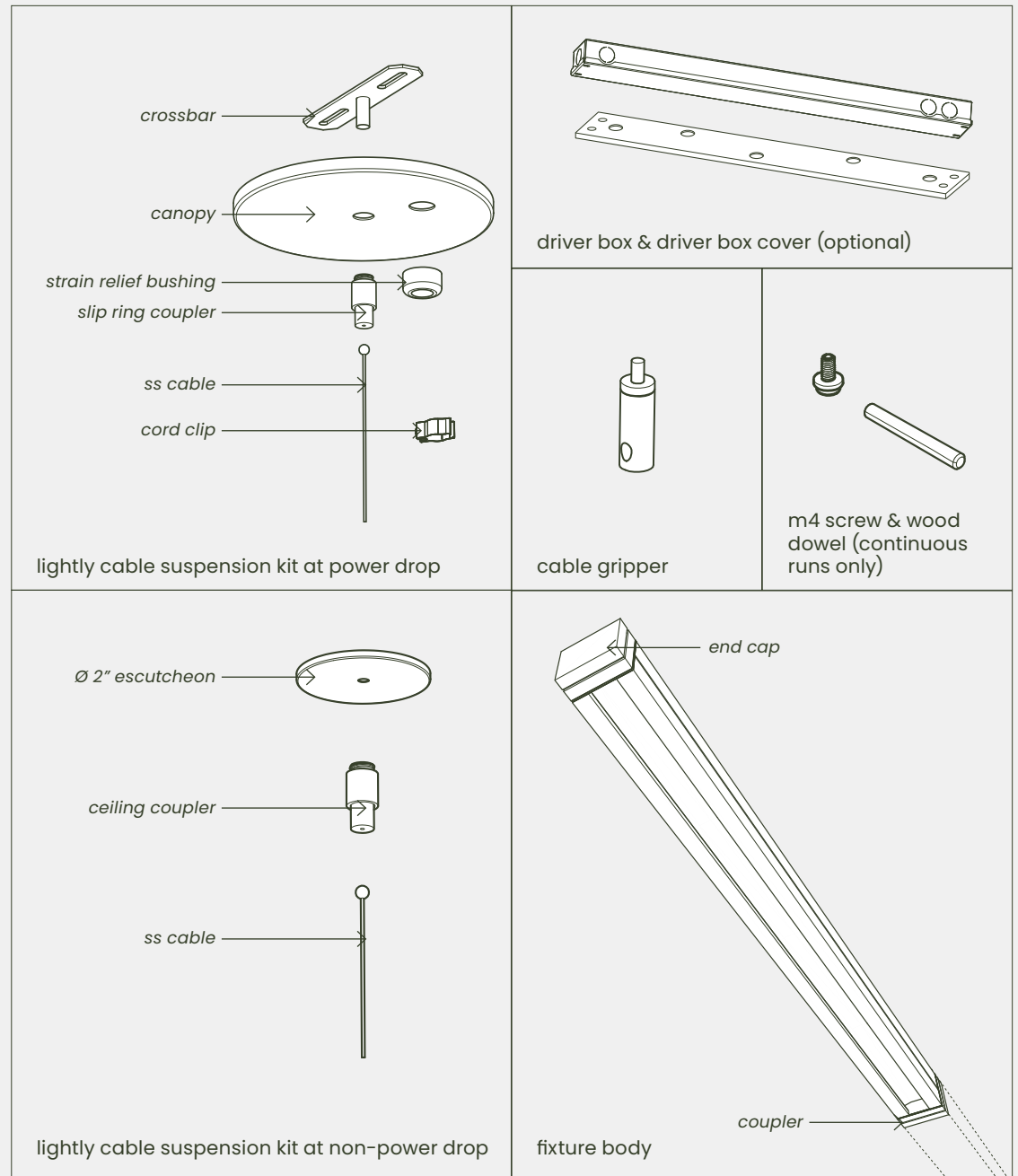
glow

installation guide for direct / indirect
standalone and continuous run applications



what's provided?

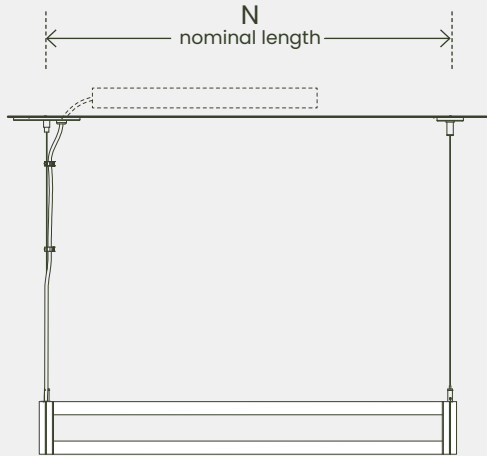
- Installation must be performed by a licensed electrician familiar with all local codes and relevant site requirements. Site conditions suitable for the specified product and adherence to code are the responsibility of installer.
- Follow the installation instructions provided. Failure to follow provided installation instructions could result in product damage or failure.
- Before installing, inspect luminaire, power wire, and suspension cordage for any damage that may have occurred during transport and unpacking. Do not install damaged product or components.
- To avoid electric shock always disconnect power when installing or servicing fixture.
- Ceiling conditions, support structure, and appropriate fasteners for ceiling substrate must be adequate for fixture weight and specifications.
- It is highly recommended to handle wood product with nitrile or other non-marring gloves.
- Clean wood surfaces only with dry cloth. Do not use water, solvents, or abrasive pads as they could permanently damage the natural wood finish.



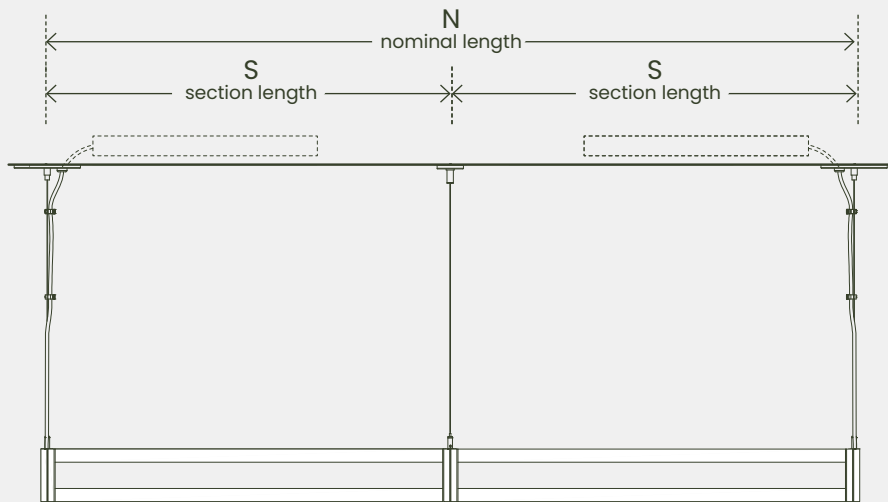
1

Mount canopy tops to ceiling structure:

Use fixture nominal length (N) to locate suspension mounting points.

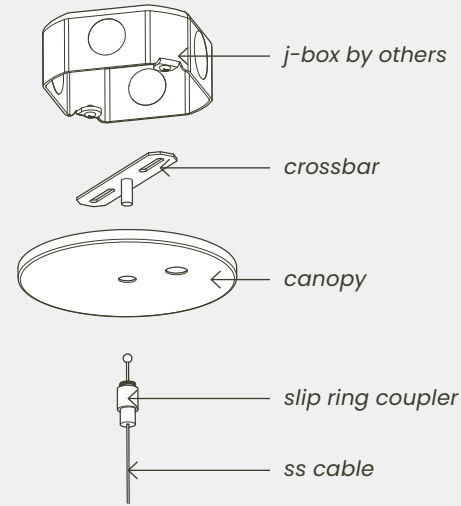


standalone run

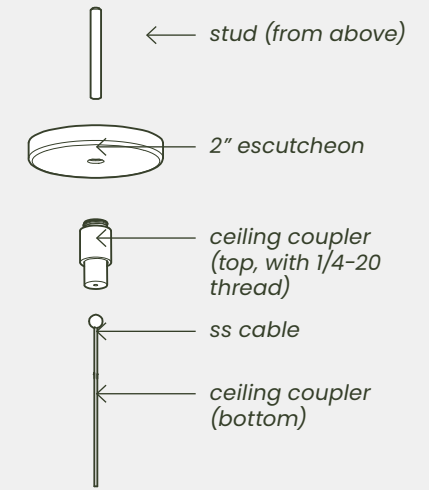


continuous run

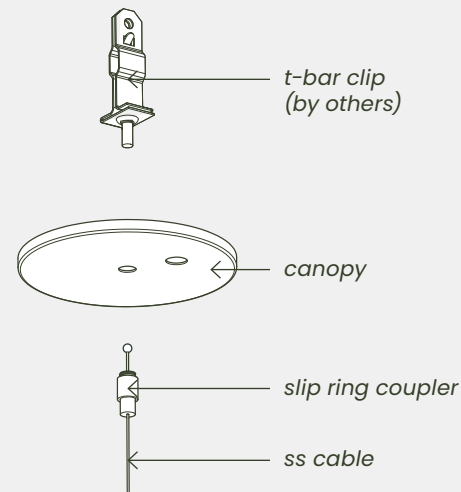
for mounting to j-box:



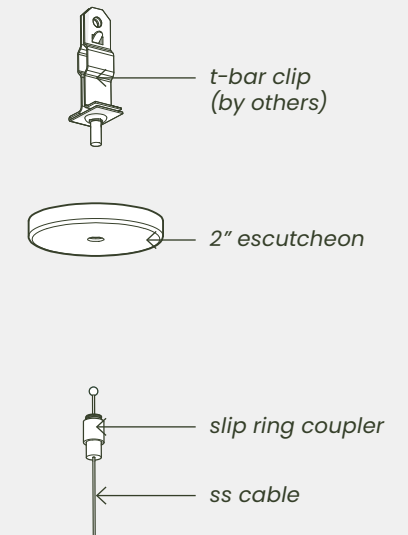
for suspension only mounting:



for T-bar grid ceiling (power drop):



for T-bar grid ceiling (suspension only):

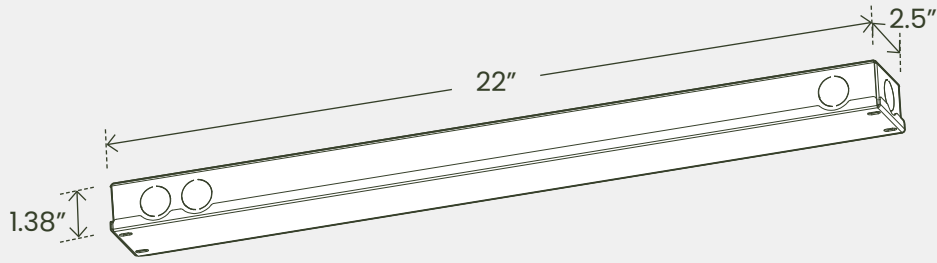


2

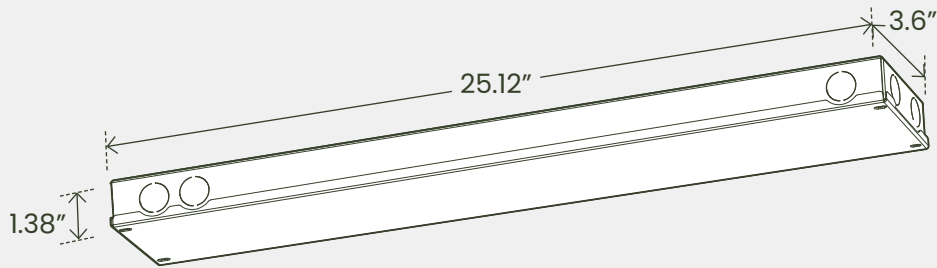
Install driver box:

Driver may be installed to face of ceiling or at remote location.

(Refer to driver box installation guides for more details)

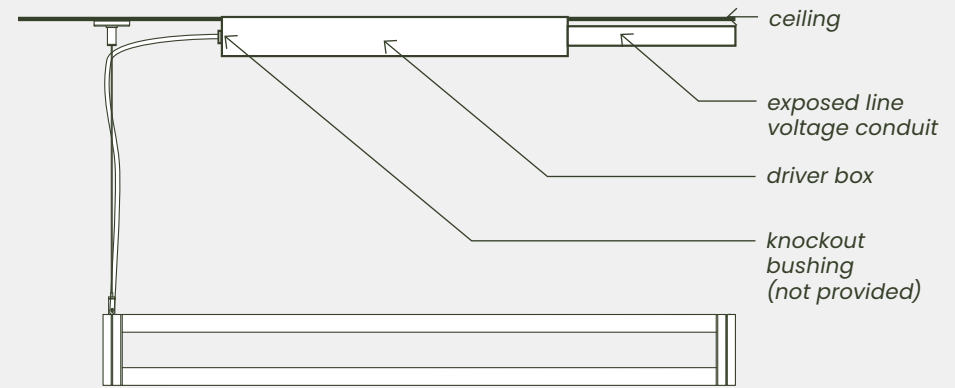


*1up driver box
for static white applications*

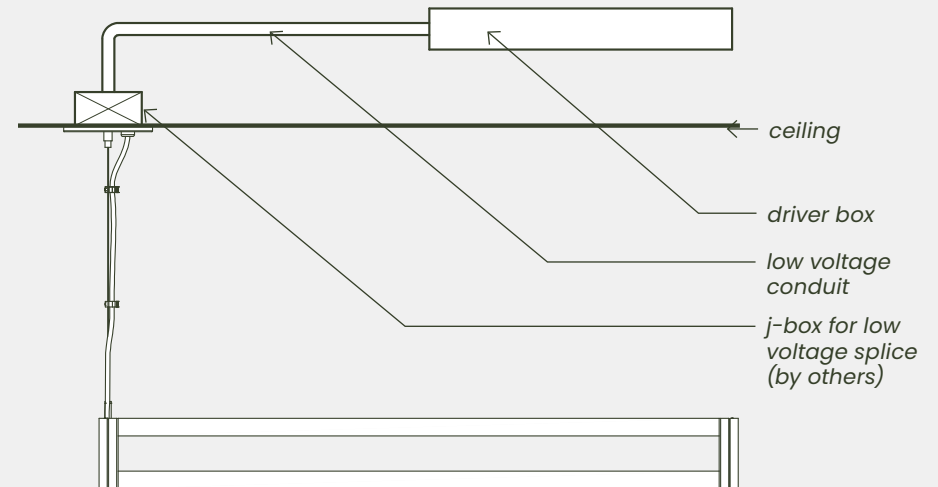


*2up driver box
for tunable white applications*

ceiling mount installation:



remote mount installation over j-box:

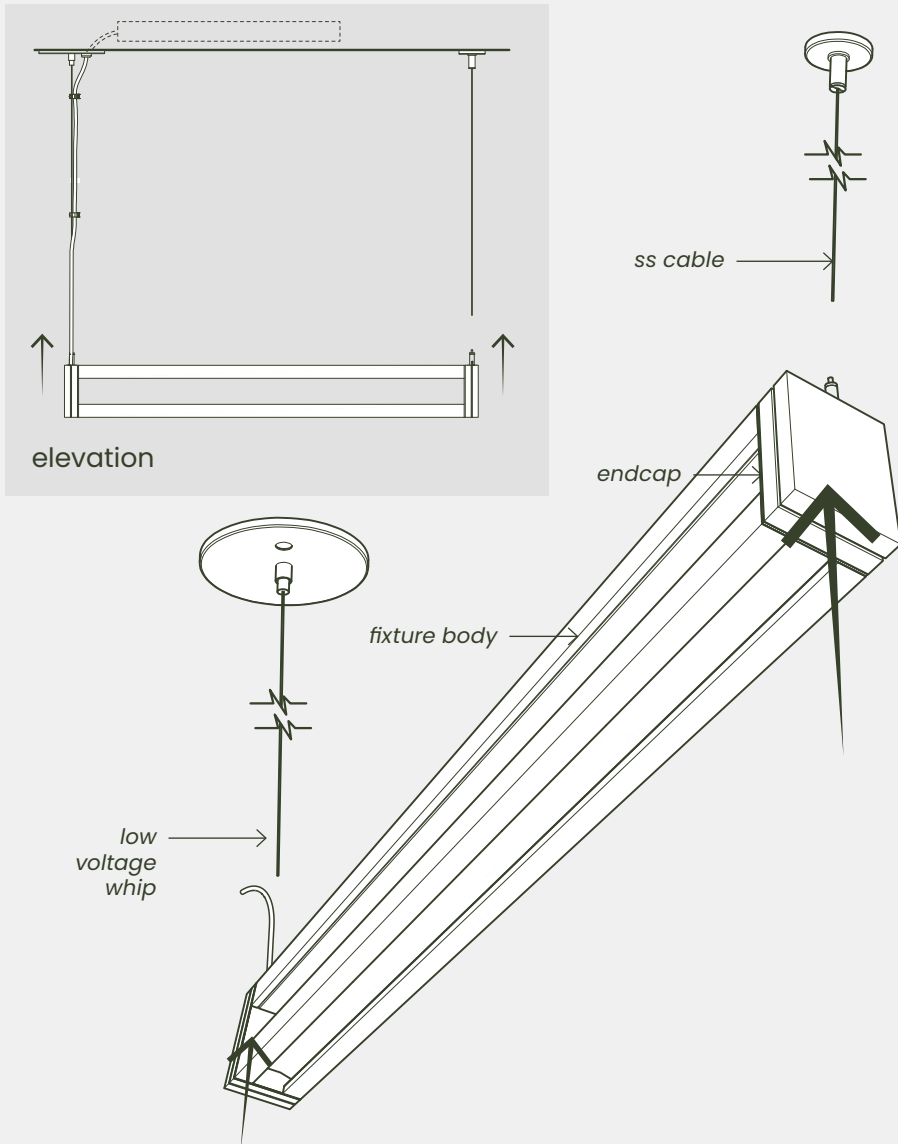


3

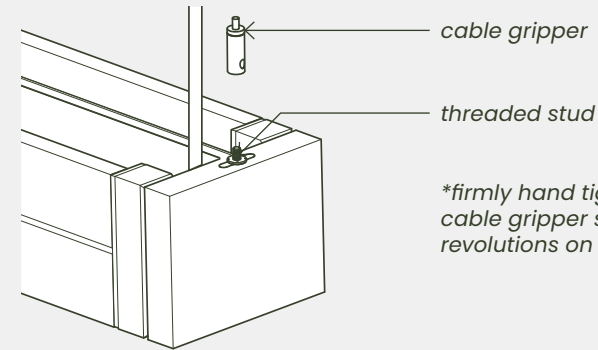
(suspension to endcap connection)

Attach fixture body to suspension assemblies:

Secure cable gripper to end cap and ss cable to cable gripper as indicated.

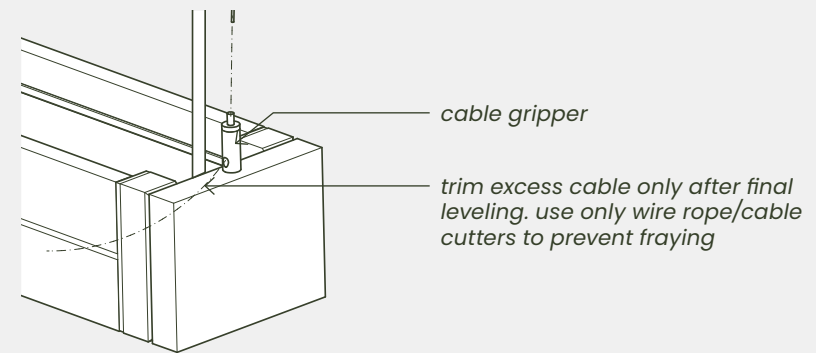


a. thread cable gripper on threaded stud:

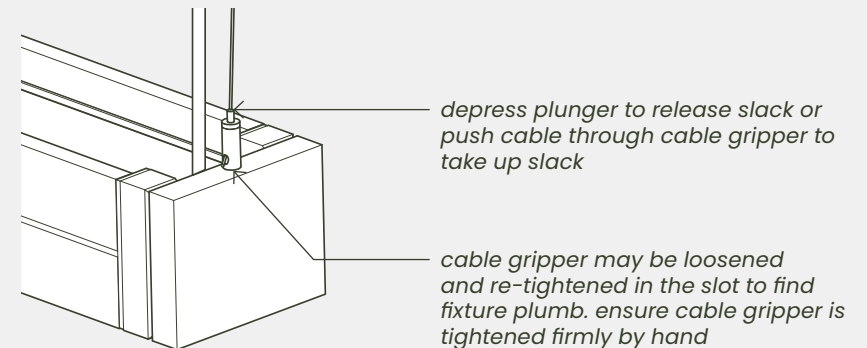


**firmly hand tighten.
cable gripper should engage at least 5 revolutions on threaded stud*

b. insert ss cable through cable grippers:



c. level fixture body using cable grippers:



4

(for coupler installation)

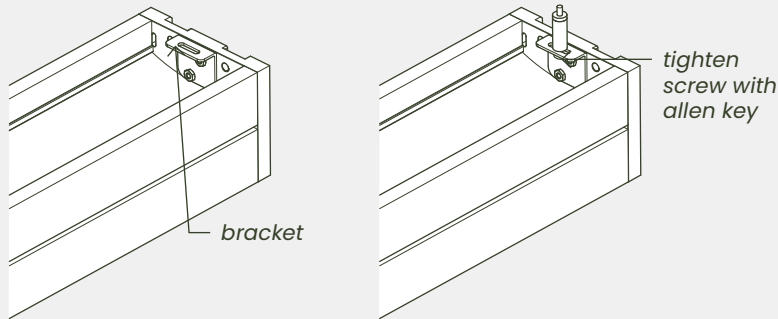
Add fixture runs by connecting couplers to one another:

After the first and second suspension assemblies are installed, repeat steps 4a-4d for every additional fixture section.

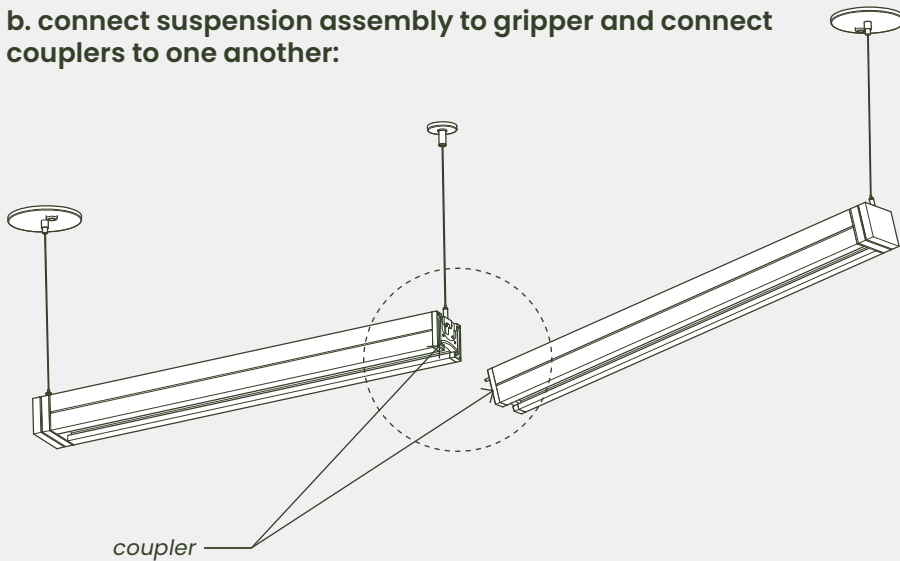
a. connect cable gripper to bracket via M4 screw:

 cable gripper

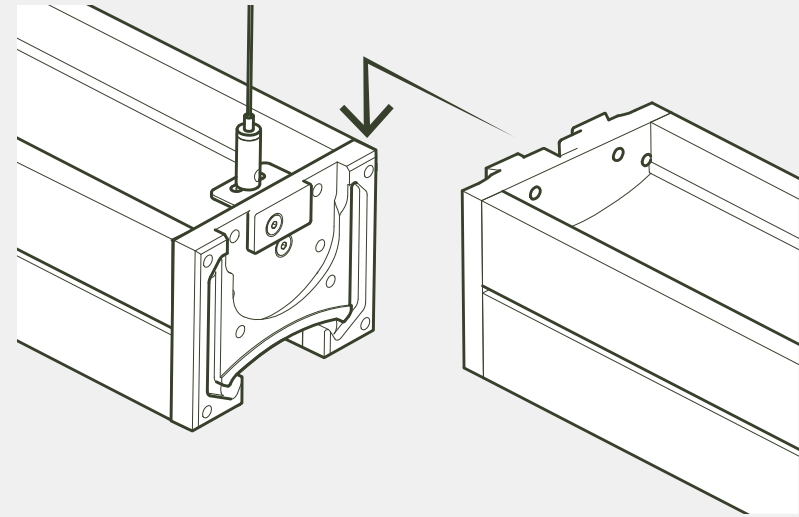
 M4 screw



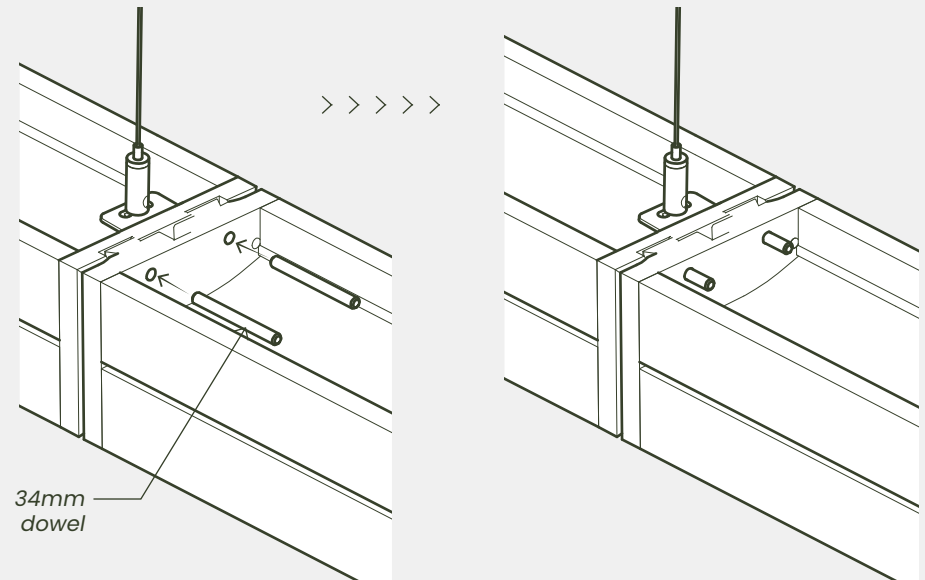
b. connect suspension assembly to gripper and connect couplers to one another:



c. connect fixture sections via dovetail coupler feature:



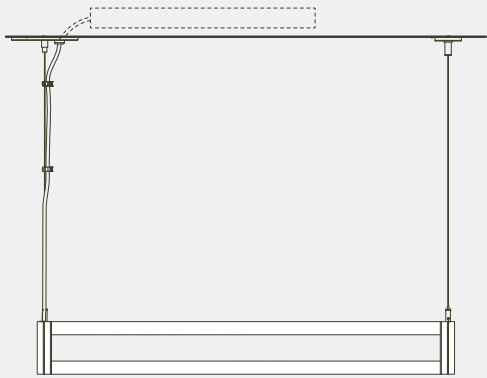
d. lock connection with 2x 34mm dowel key:



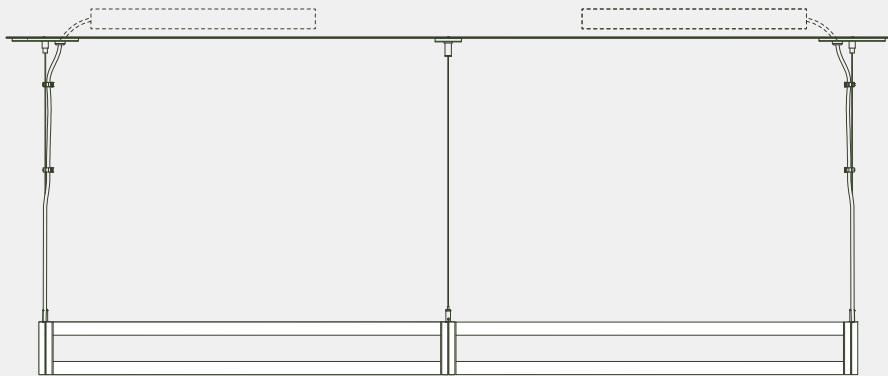
5

Connect to power:

Run low voltage whip to driver box or low voltage connection in j-box. Make connections as indicated in wiring guide.

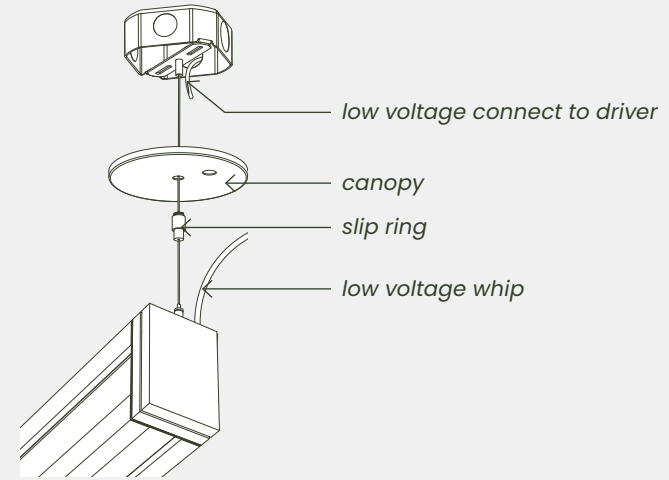


standalone run

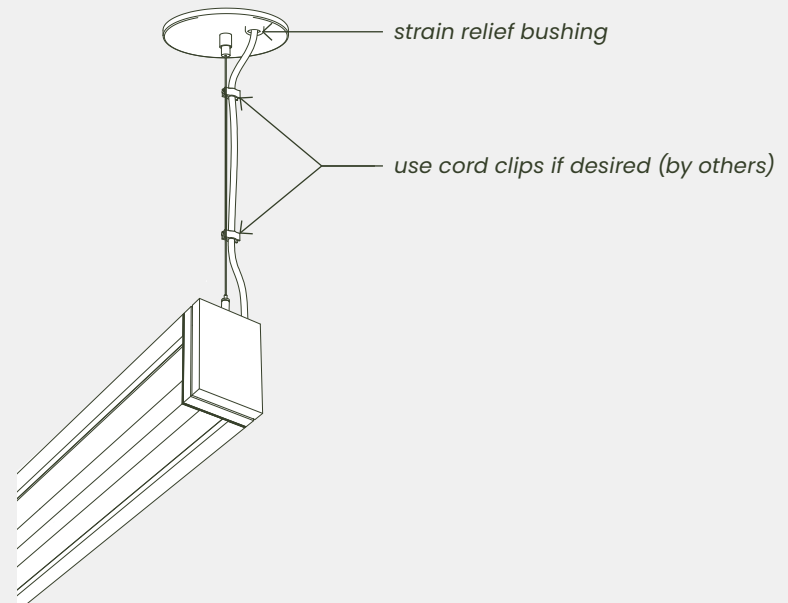


continuous run

a. low voltage connection in j-box:



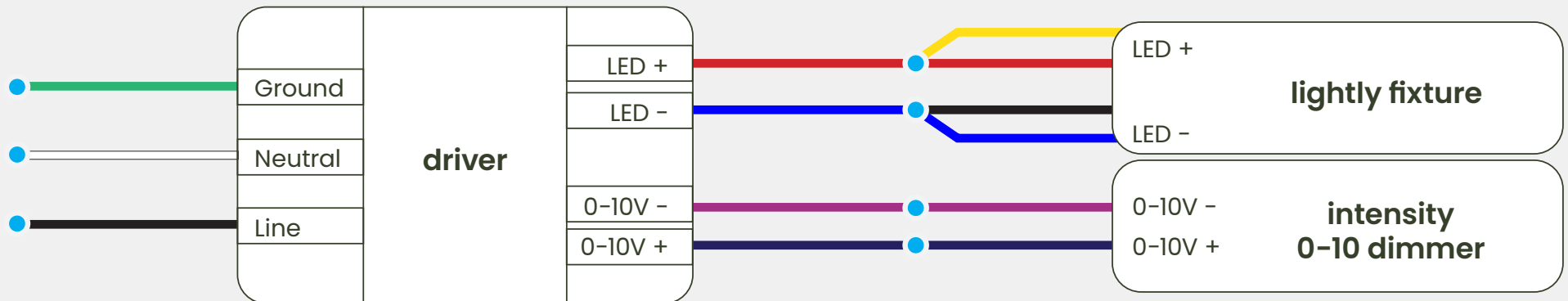
b. organize power cord:



wiring guide

Do not connect lightly unit directly to line voltage. This will result in permanent damage and all warranty will be void.

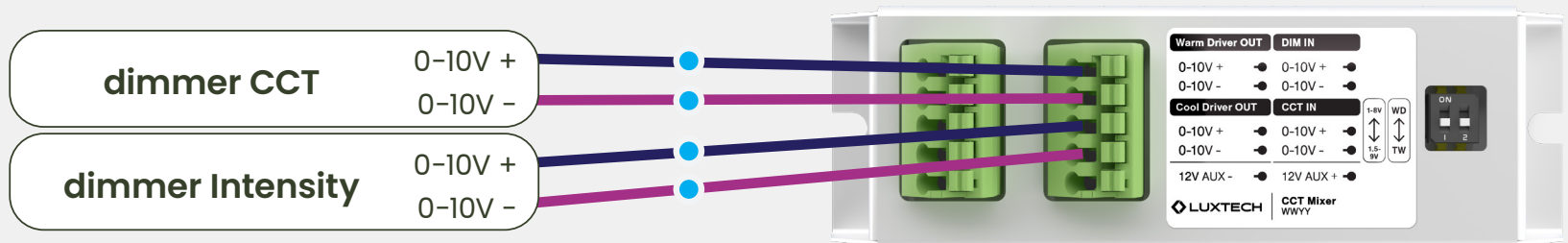
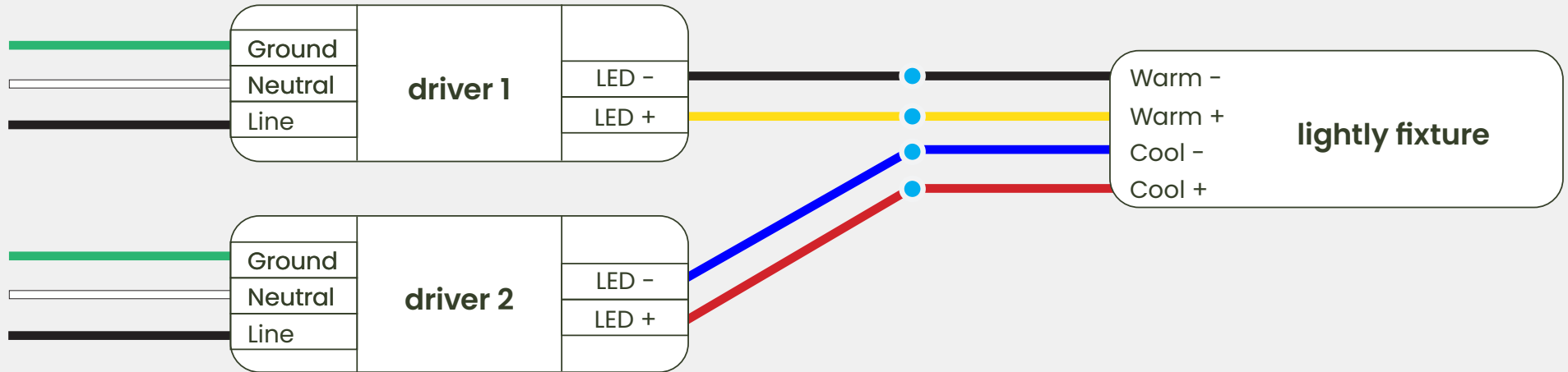
static CCT
0-10V control



wiring guide

Do not connect lightly unit directly to line voltage. This will result in permanent damage and all warranty will be void.

tunable white
0-10V control



Note: CCT Mixer Device is installed by Lightly and pre-wired to the LED Drivers. Only the wire connections required to be made by EC are displayed.