

lightly

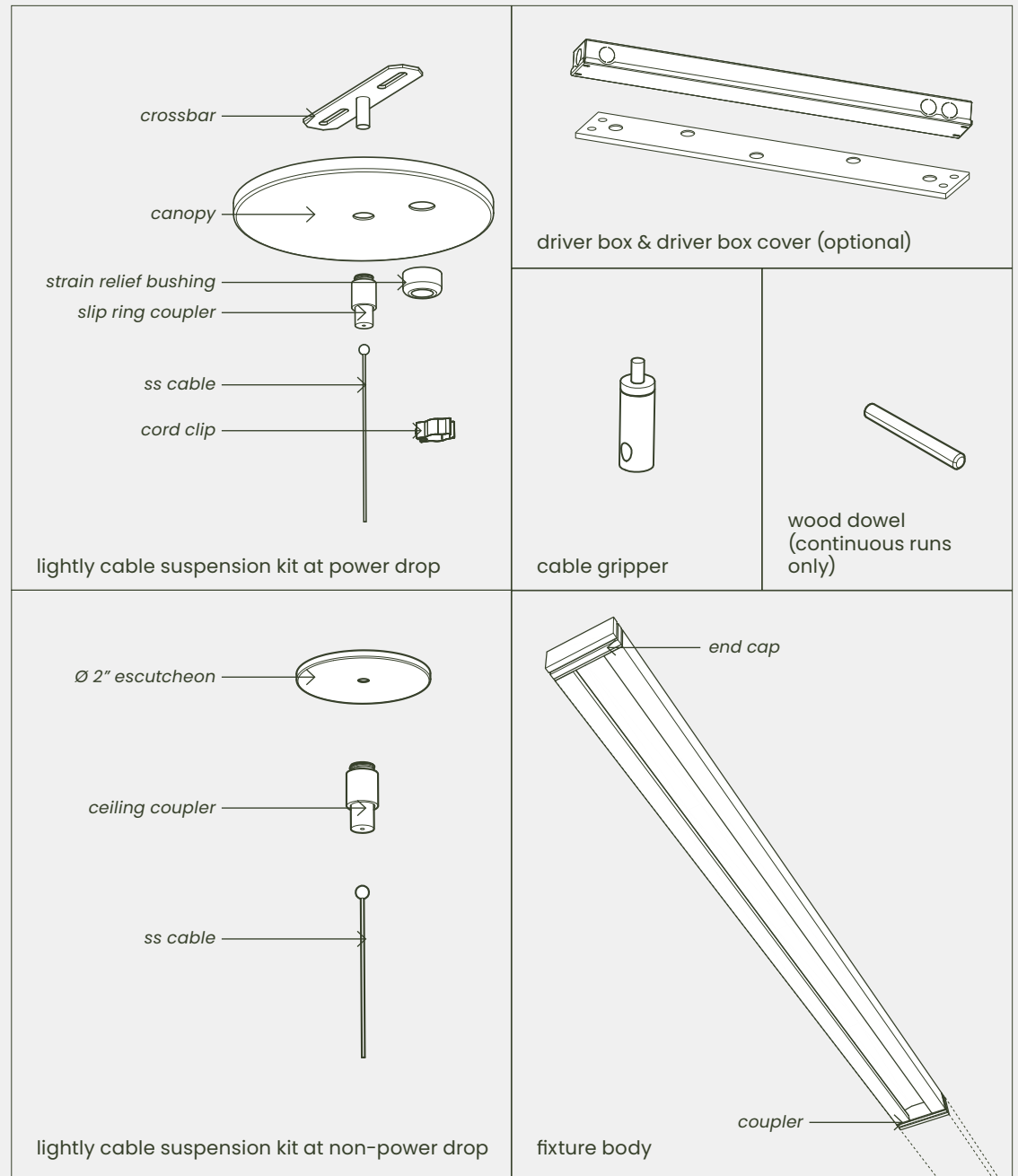
glow

installation guide for direct  
standalone applications



# what's provided?

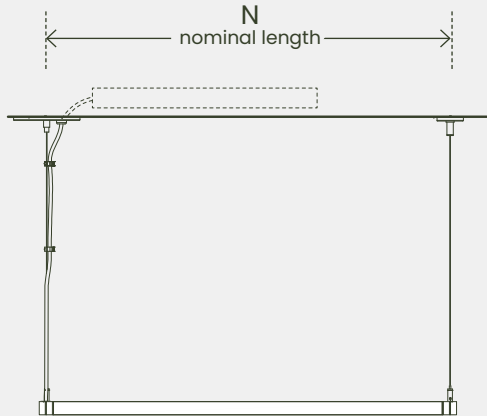
- Installation must be performed by a licensed electrician familiar with all local codes and relevant site requirements. Site conditions suitable for the specified product and adherence to code are the responsibility of installer.
- Follow the installation instructions provided. Failure to follow provided installation instructions could result in product damage or failure.
- Before installing, inspect luminaire, power wire, and suspension cordage for any damage that may have occurred during transport and unpacking. Do not install damaged product or components.
- To avoid electric shock always disconnect power when installing or servicing fixture.
- Ceiling conditions, support structure, and appropriate fasteners for ceiling substrate must be adequate for fixture weight and specifications.
- It is highly recommended to handle wood product with nitrile or other non-marring gloves.
- Clean wood surfaces only with dry cloth. Do not use water, solvents, or abrasive pads as they could permanently damage the natural wood finish.



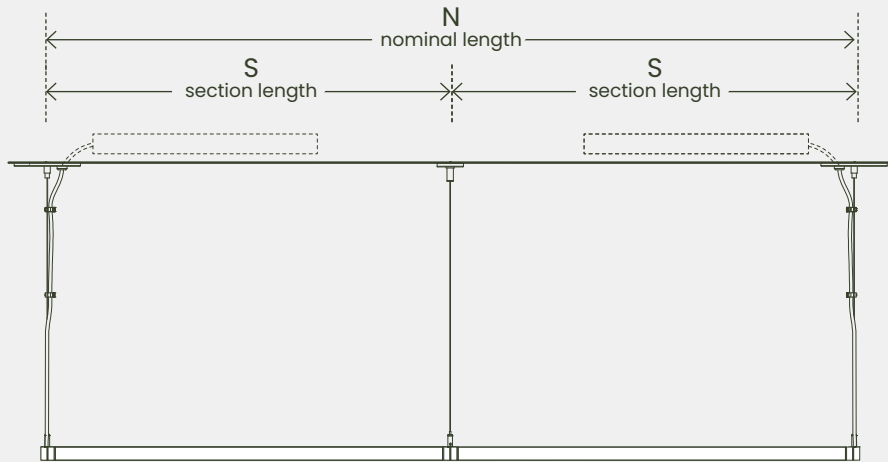
1

### Mount canopy tops to ceiling structure:

Use fixture nominal length (N) to locate suspension mounting points.

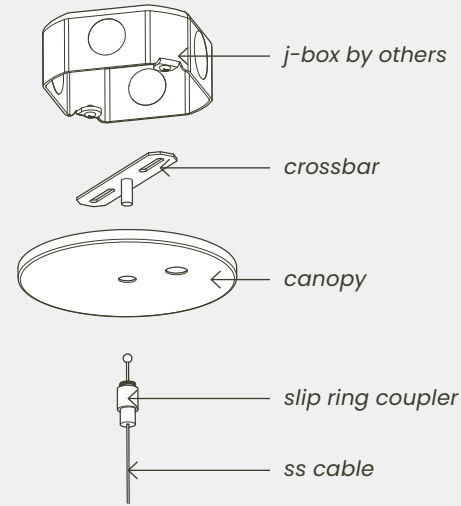


standalone run

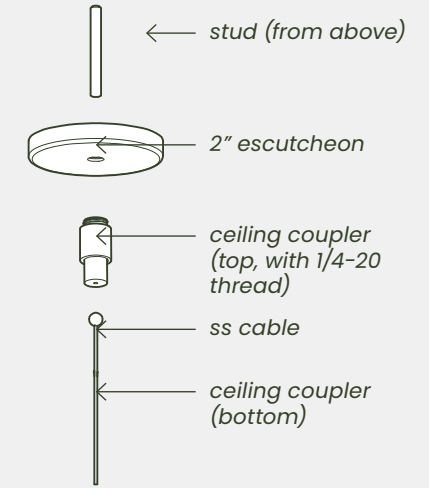


continuous run

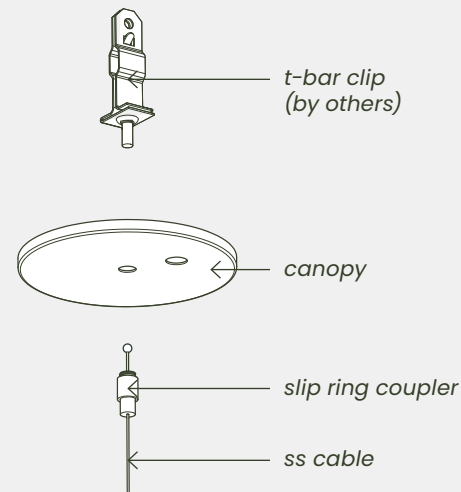
### for mounting to j-box:



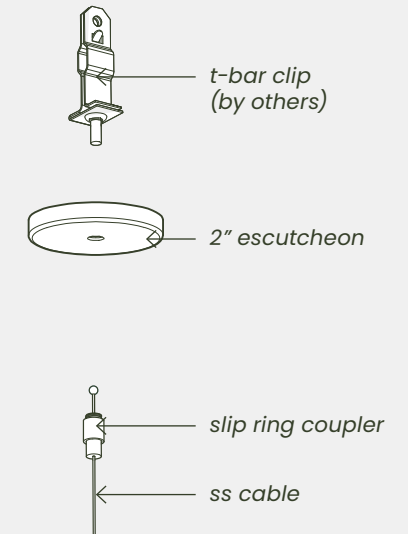
### for suspension only mounting:



### for T-bar grid ceiling (power drop):



### for T-bar grid ceiling (suspension only):

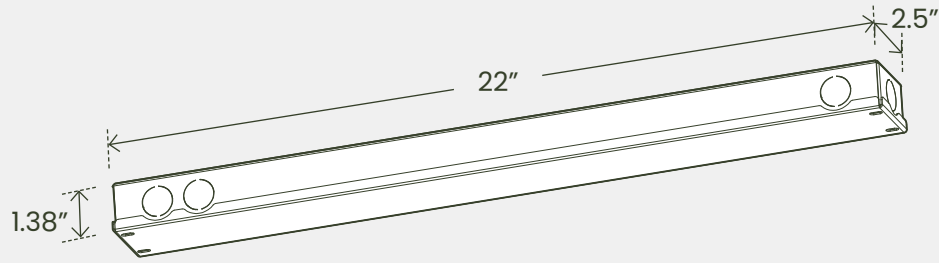


# 2

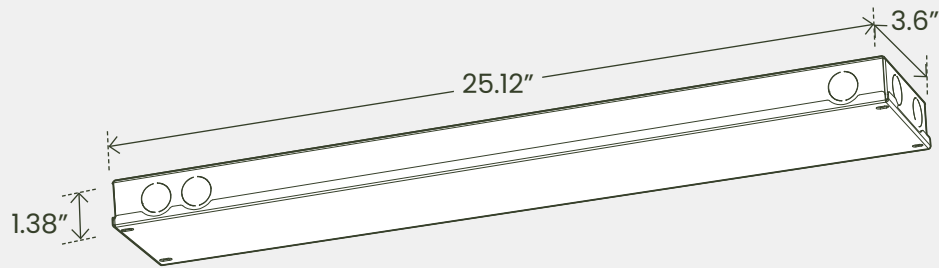
## Install driver box:

Driver may be installed to face of ceiling or at remote location.

(Refer to driver box installation guides for more details)



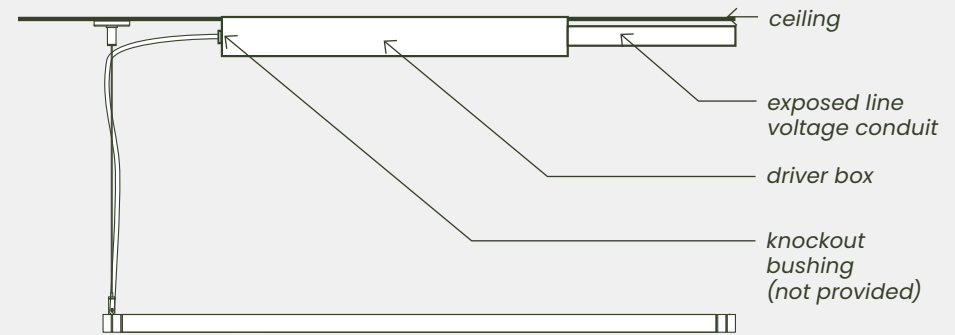
**1up driver box**  
for static white applications



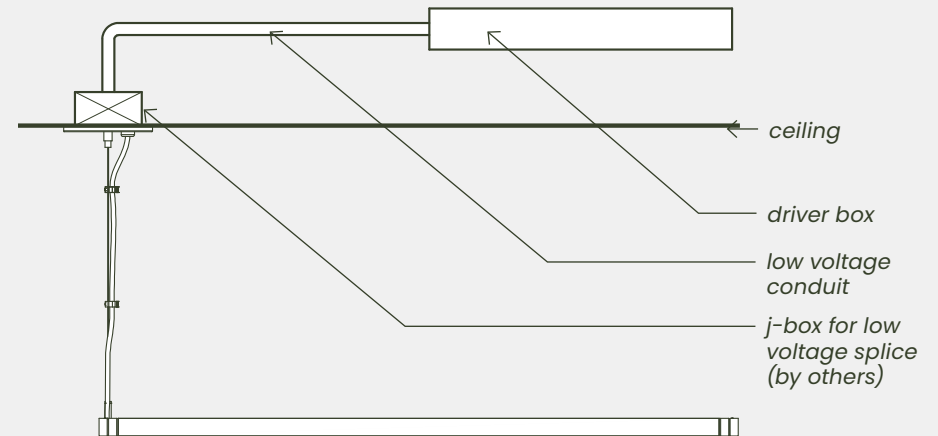
**2up driver box**  
for tunable white applications

**4up driver box**  
for emergency battery option  
and custom applications

## ceiling mount installation:



## remote mount installation over j-box:

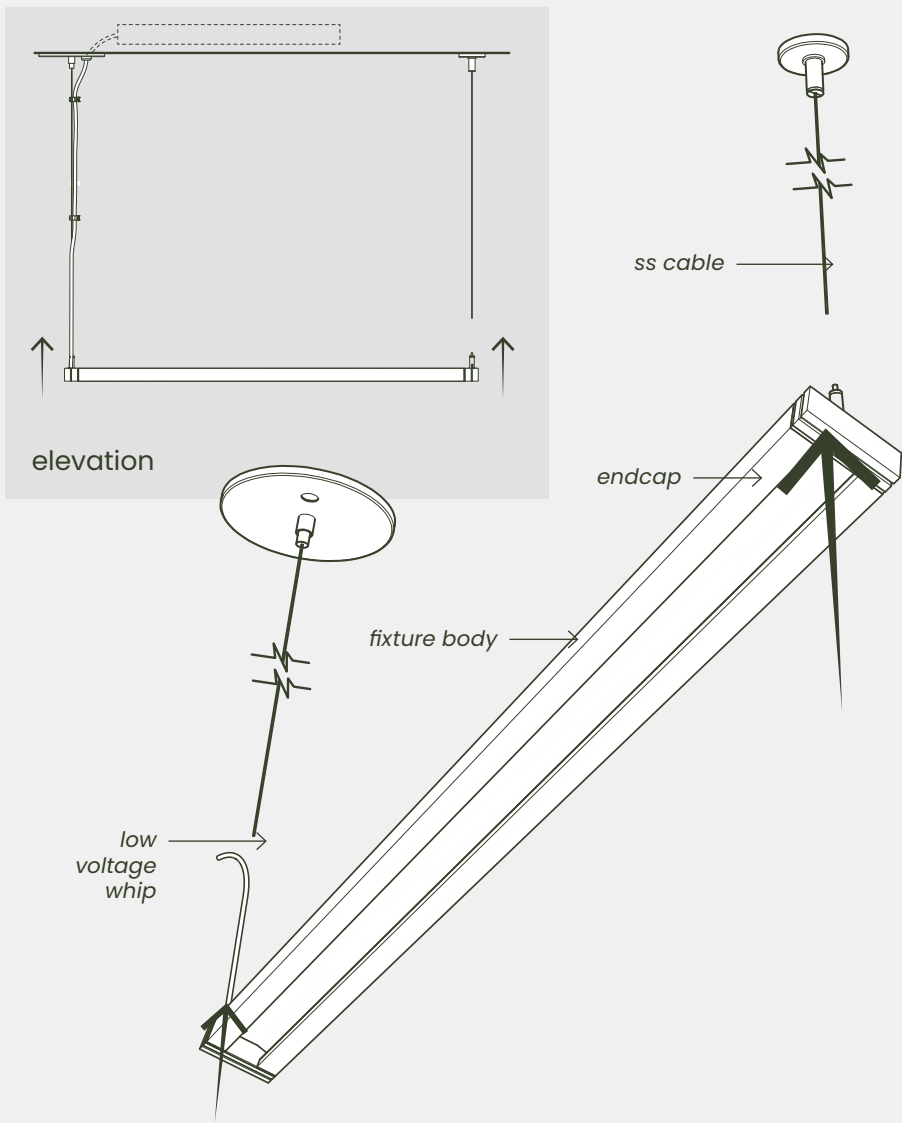


# 3

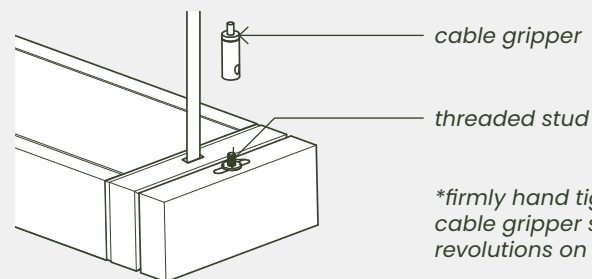
(suspension to endcap connection)

## Attach fixture body to suspension assemblies:

Secure ss cable to cable gripper as indicated.

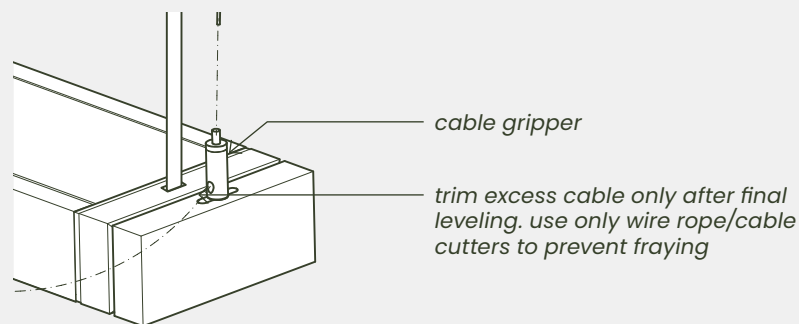


### a. thread cable gripper on threaded stud:

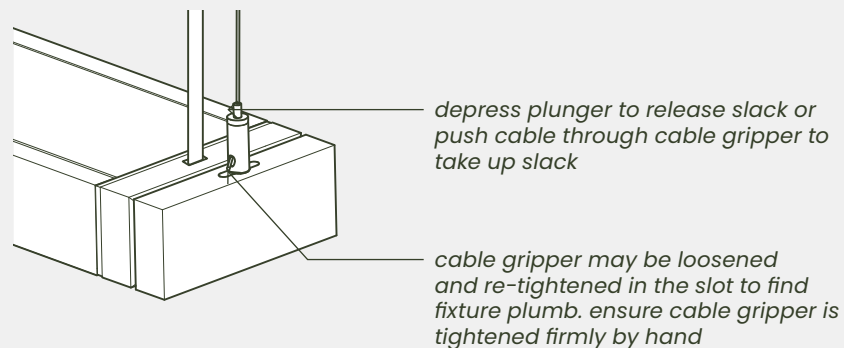


*\*firmly hand tighten.  
cable gripper should engage at least 5 revolutions on threaded stud*

### b. insert ss cable through cable grippers:



### c. level fixture body using cable grippers:



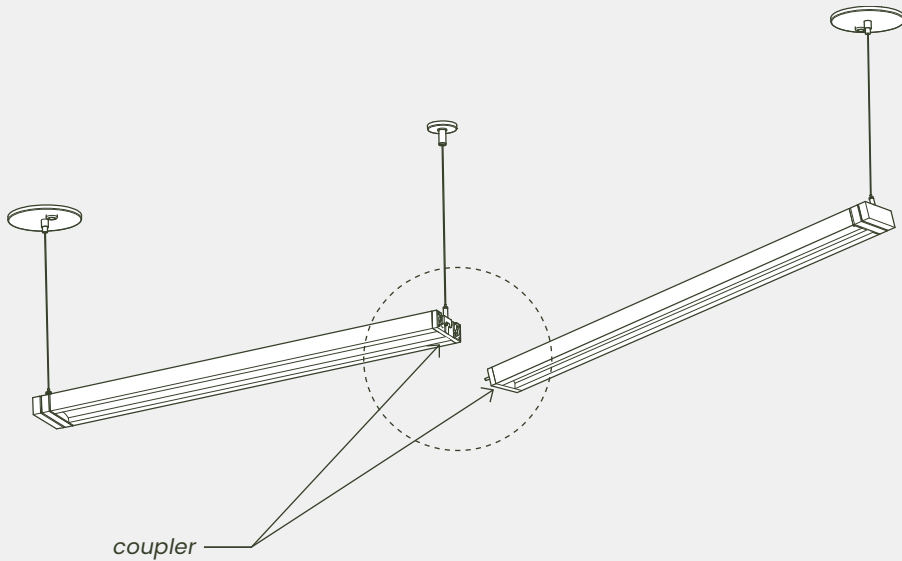
# 4

(for coupler installation)

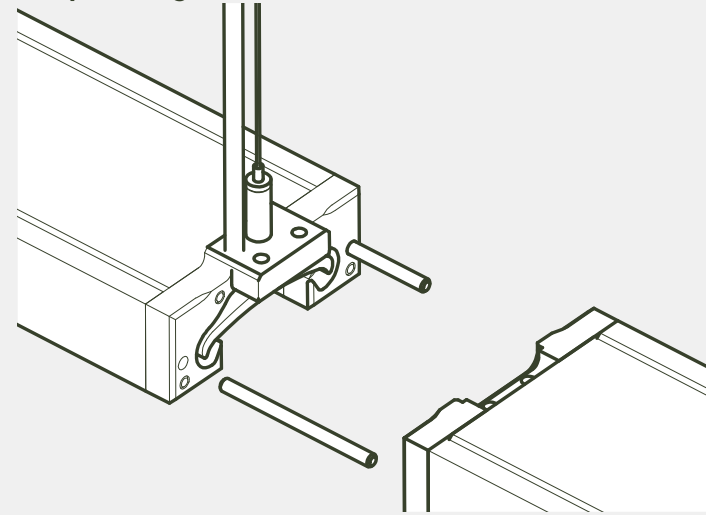
## Add fixture runs by connecting couplers to one another:

After the first and second suspension assemblies are installed, repeat steps 4a-4c for every additional fixture section.

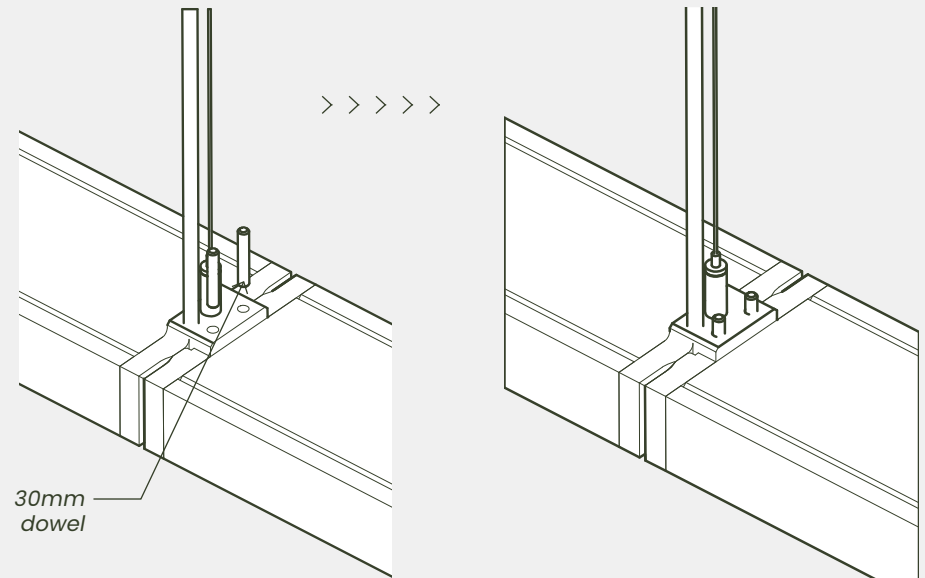
**a. connect suspension assembly at far end first, then connect couplers to one another**



**b. insert 2x 70mm dowel into first fixture, then slide two couplers together**



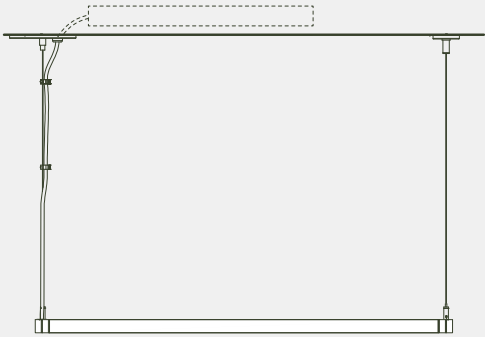
**c. lock connection with 2x 30mm dowel key:**



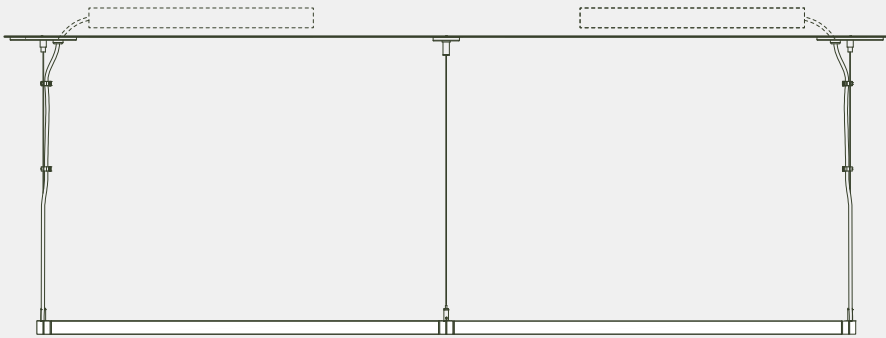
5

**Connect to power:**

Run low voltage whip to driver box or low voltage connection in j-box. Make connections as indicated in wiring guide.

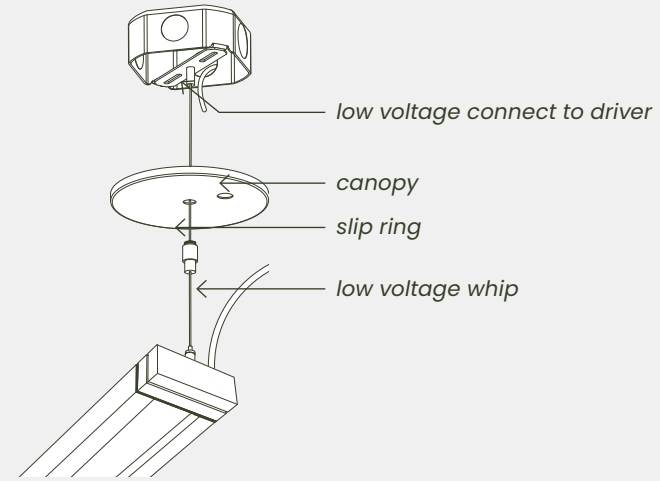


standalone run

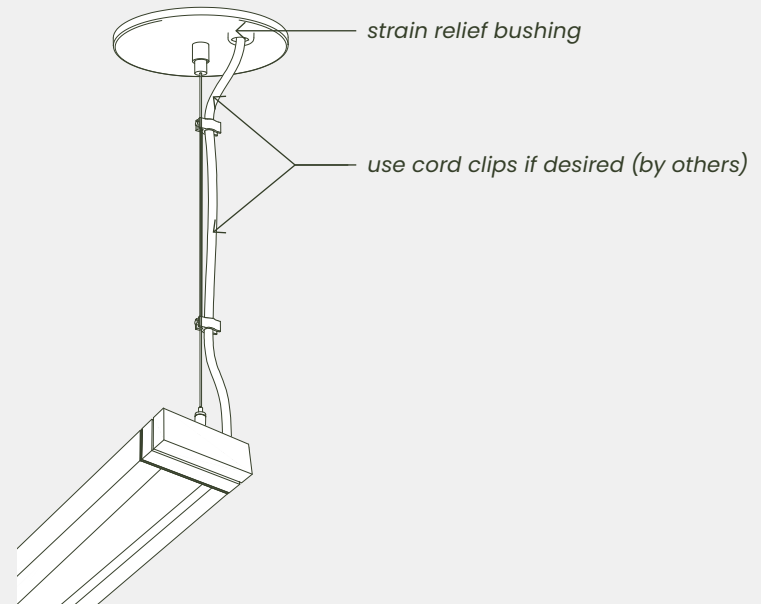


continuous run

**a. low voltage connection in j-box:**



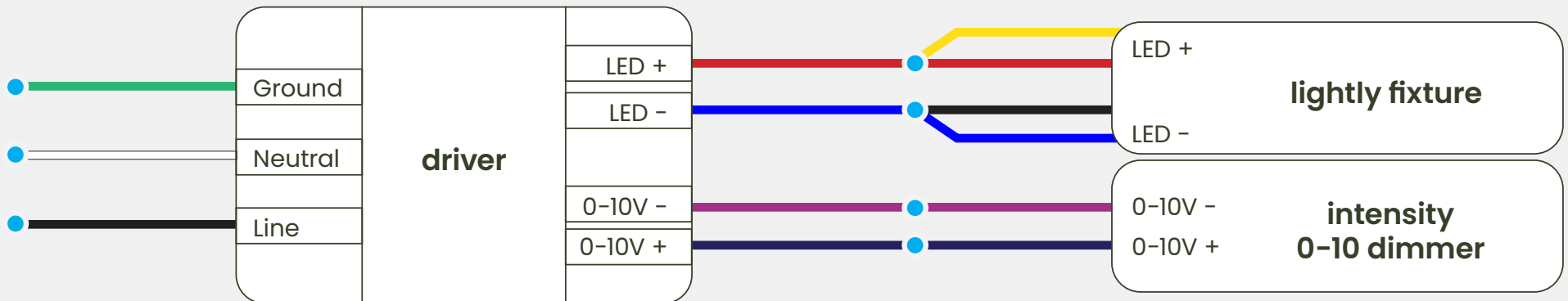
**b. organize power cord:**



# wiring guide

**Do not connect lightly unit directly to line voltage. This will result in permanent damage and all warranty will be void.**

**static CCT**  
0-10V control

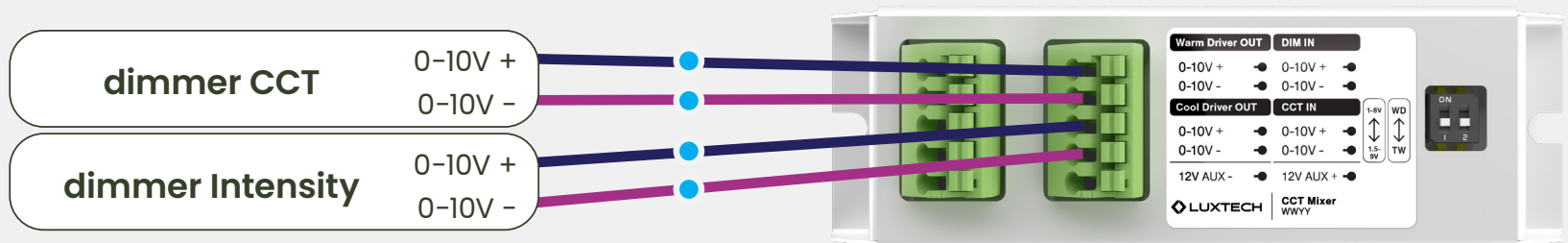
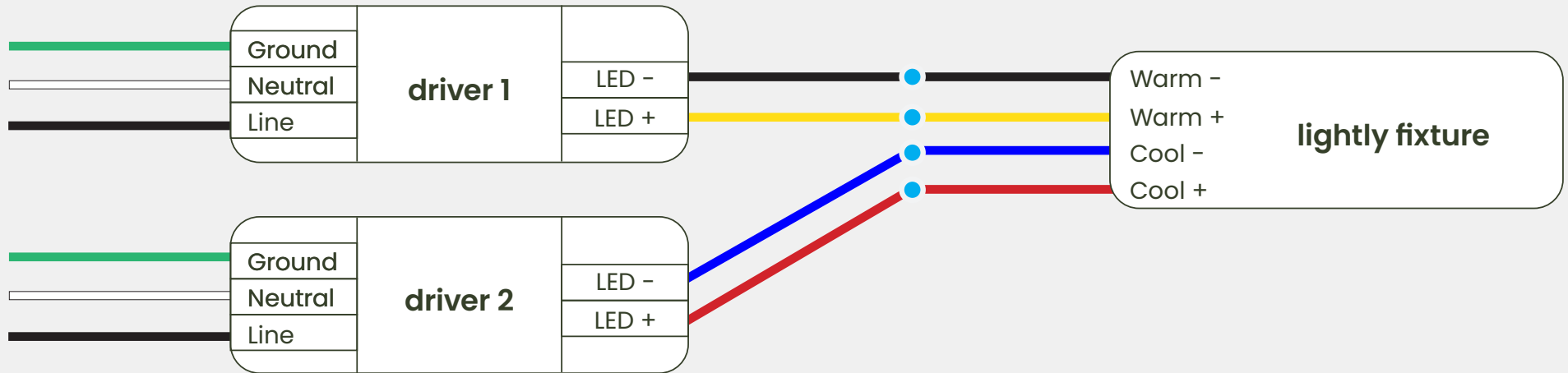




# wiring guide

**Do not connect lightly unit directly to line voltage. This will result in permanent damage and all warranty will be void.**

tunable white  
0-10V control



**Note:** CCT Mixer Device is installed by Lightly and pre-wired to the LED Drivers. Only the wire connections required to be made by EC are displayed.