



lightly

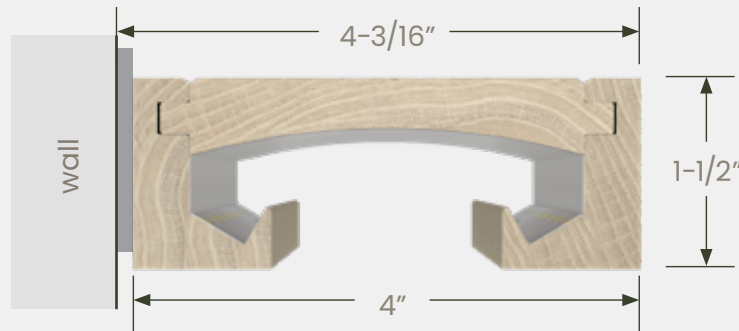
glow (direct) | cantilever
specification sheet 2024

features

- cantilever wall-mounted direct LED luminaire
- Carbon-conscious: designed with natural, renewable, non-toxic components. Red-list free. Fixture housing contains no metal, plastic, or glass
- Internal reflector conceals LEDs, and offers a lambertian distribution without pixels or shadows
- Lightweight wood and wool construction reduces the embodied carbon and cost of shipping as compared to traditional metal fixtures
- Excellent choice for projects with sustainability and embodied carbon requirements; net-zero, LEED, WELL v2

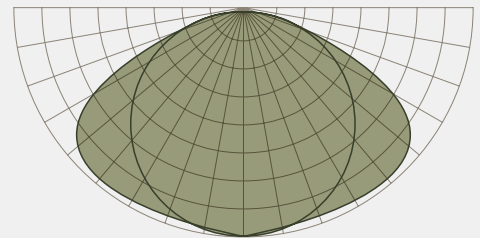


dimensional data



height: 1-1/2"	width: 4"	weight: (*8' Fixture) 6lbs.	length: 3' minimum, no maximum run length (*Custom lengths are available in 3" nominal increments. Sub- mittals will be created)
--------------------------	---------------------	---------------------------------------	--

performance



lumen output: 300-1000 lm/ft	LPW: 92-94
wattage: 3.2-10.8 w/ft	SDCM: 3

specifications

LED systems

Premium LEDs on a robust platform to achieve excellent thermal management. Available in 3000K, 3500K, 4000K with CRI>90. Also available in tunable white, ranging from 2700-6500K with CRI-90.

construction

Carefully curated materials to ensure reliable, durable construction with sustainability at the forefront. Sustainably harvested Pennsylvania poplar housing and end caps, 100% natural wool felt gaskets, non-toxic wood adhesive, and VoC-free wood stains. An 8' fixture weighs 6 lbs.

finish

Non-toxic, bioderived wood finishes, pigmented stains, semi-opaque pigmented paint, or highly opaque paint are used to achieve our natural, honey, dark walnut, black, and white finishes. See pg. 5 for more details.

optic

lightly Glow Cantilever challenges traditional luminaire design, typically reliant on translucent diffusers to distribute light. Instead, it delivers a 100% direct distribution with a distinctive glowing arch optical profile finished in highly reflective matte white eco-friendly paint. The LED engines are concealed from viewing from all sides, reducing glare and creating a comfortable lighting experience.

labels

Our highly sustainable fixtures have Declare and EPD labels and certifications and are UL Dry, indoor use only.

electrical

All luminaires provided with remote drivers only. Standard 120-277 VAC constant current driver includes 0-10V analog dimming. Power factor > .95. Refer to pg. 8 for maximum run length from fixture to driver.

emergency

If emergency battery (B) is specified, the luminaire will be provided with an emergency lighting battery pack unit for both normal and emergency operation, 120-277 VAC only. Emergency mode provides constant power to a nominal 10W LED load for a period of 90 minutes. The unit contains a long-life Li-Ion battery and inverter circuitry and requires connections to be made to the remote driver box on-site. Charge indicator light and test switch provided with mounting option to driver box. Refer to Lightly installation documentation for more details.

lumen maintenance

Tested in accordance with LM-80. Reported L70>100,000 hrs (105 C).

reliability

At Lightly, our products are designed to stand the test of time, then be recycled, repurposed, or biodegraded at end of life. To ensure longevity, all products must pass rigorous testing in environmental chambers evaluating the potential for warping and humidity absorption.

ordering guide

1	2	3	4	5	6	7	8	9	10	11	12	13
			-									

1: SERIES	2: TYPE	3: NOMINAL LENGTH (ft.)	4: WOOD FINISH	5: END CAP FINISH	6: WOOL FELT COLOR
G glow	D direct	3'0 8'0 4'0 X'X (custom) 6'0 <small>*3" nominal increments</small>	W white B black N natural H honey D dark walnut	W white B black N natural H honey D dark walnut	T thunderstorm G graphite H heather gray F fern green
7: MOUNTING	8: LIGHT OUTPUT (lm/ft.)	9: CCT (90 CRI)	10: DRIVER	11: WIRING & EMERGENCY	12: CONTROLS
C cantilever	L 300 (3.2w/ft) M 650 (6.9w/ft) H 1000 (10.8w/ft)	30 3000K 35 3500K 40 4000K TW 2700-6500K <small>*TW not available for runs over 8ft</small>	R 0-10 V Dim 1.0% 120-277 V	B_* emerg. battery C emerg. circuit Z not applicable <small>*for continuous runs, specify the number of units with emergency battery capability (ex. B2)</small>	- (blank)

13: OPTIONS	
Driver Box Faceplate	
-	standard <small>(paintable white steel)</small>
W	white wood
B	black wood
N	natural wood
H	honey wood
D	dark walnut
<small>*driver box is e-coat white steel, see install guide for dimensions and details</small>	

performance chart

config.	delivered lumens (lm/ft)		
	direct	power (w/ft)	efficacy (lm/w)
low	300	3.2	94
med	650	6.9	94
high	1000	10.8	92

performance specifications are nominal

sustainable in every way

Bill of Material Weight - 8 ft. Standalone

power cord
material: non-PVC
total weight: .8 lbs

dowels
material: beech
total weight: 0.02 lbs

wool felt gaskets
material: wool felt
total weight: 0.05 lbs

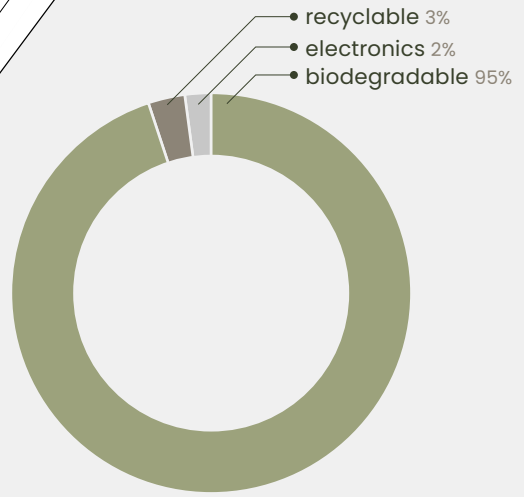
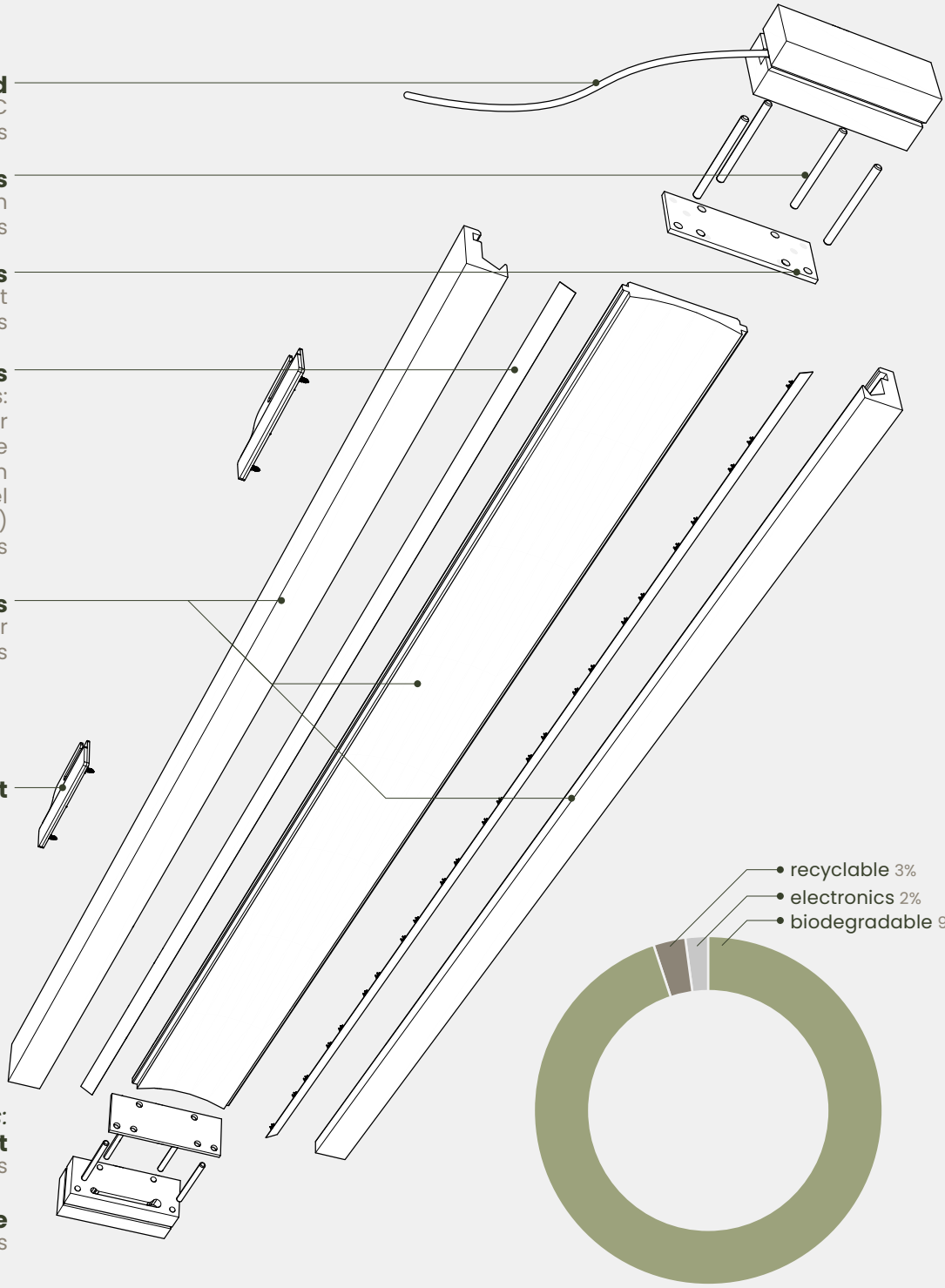
LED boards
materials:
copper
polyimide
tin
(see Declare label
for full list)
total weight: 0.2 lbs

wood profiles
material: poplar
total weight: 5.70 lbs

wall bracket

miscellaneous:
non-toxic paint
total weight: 0.01 lbs

non-toxic glue
total weight: 0.01 lbs

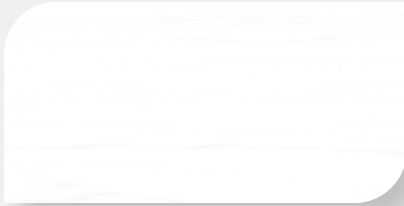


finish key

lightly offers variations of finishes for components including wood color & wool felt color

wood finish

W
white paint



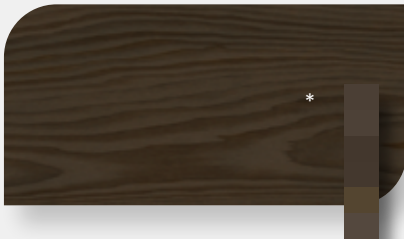
N
natural



H
honey



D
dark walnut



B
black stain



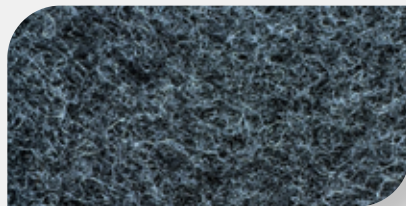
*Wood is a natural material and is therefore subject to small variations in tone, texture, and grain. The swatch palettes for *Natural*, *Honey* and *Dark Walnut* represent a possible range of finishes.

wool finish

T
thunderstorm



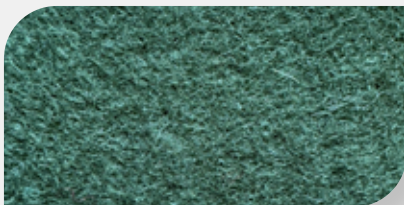
G
graphite



H
heather gray

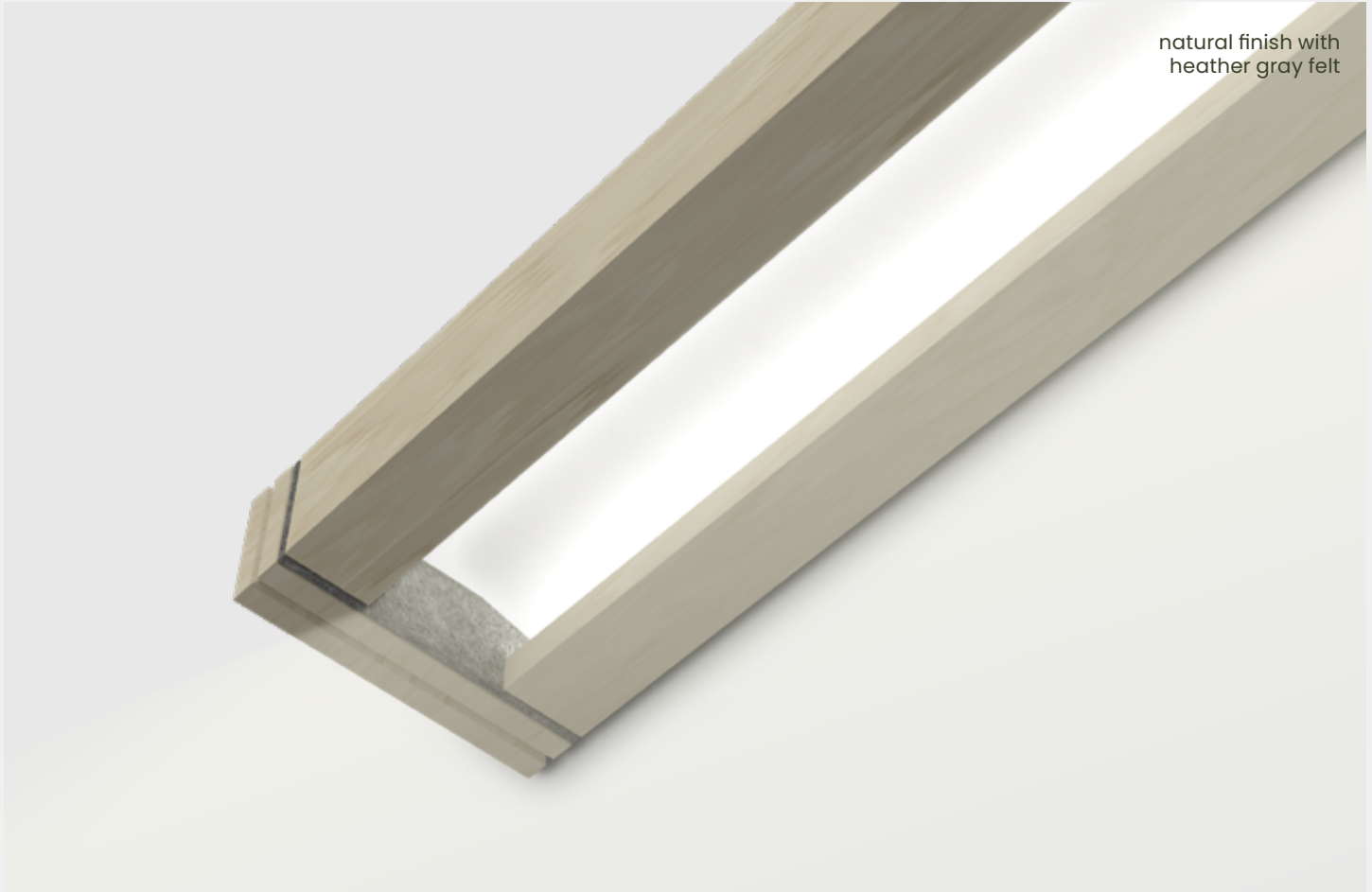


F
fern green



our glow finishes

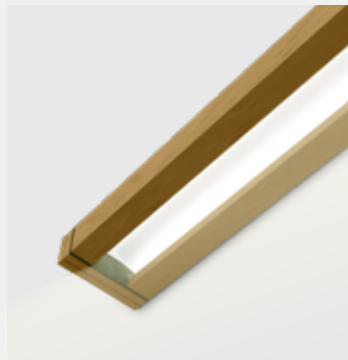
lightly offers a range of gorgeous natural materials that sequester carbon, harvested from fast growth sources that don't deplete precious natural resources.



white
showing thunderstorm wool felt



black
showing graphite wool felt



honey
showing fern green wool felt



dark walnut
showing fern green wool felt

configuration

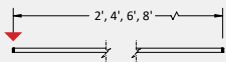
lightly glow has been designed for easy on-site installation and uniform runs

standard run configurations

The table below shows how the standard run lengths are configured. For other run lengths or layouts, contact customer support.

nominal run length	section lengths	nominal run length	section lengths
3'	3'	16'	8'+8'
4'	4'	20'	6.5'+7'+6.5'
6'	6'	24'	8'+8'+8'
8'	8'	28'	7'+7'+7'+7'
12'	6'+6'	32'	8'+8'+8'+8'

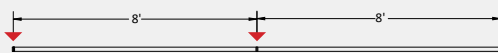
* ▼ indicates power feed location. j-box required for each fixture section. see installation guide for more details.



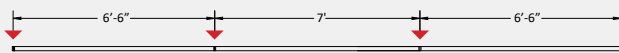
2 ft, 4 ft, 6 ft, 8 ft



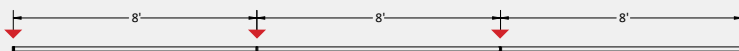
12 ft



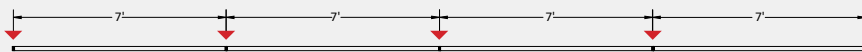
16 ft



20 ft



24 ft



28 ft



32 ft

nominal length vs. actual length

The nominal length of each section of a run is equal to the on-center spacing of the suspension points.

The actual length of the overall run is 1-5/8" longer at each end than the nominal length of the overall run.



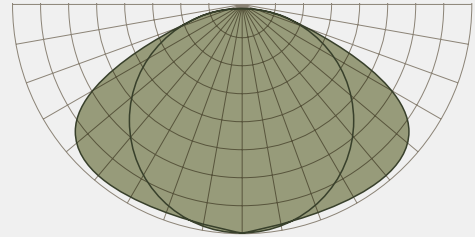
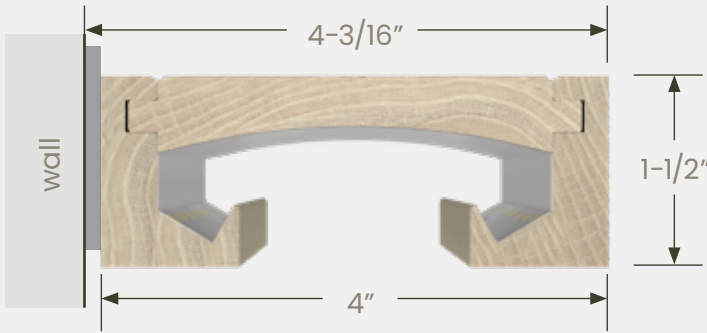
natural wood deviations

Lightly maintains a straightness tolerance of +/- 1/16" on standalone units and +/- 1/8" on continuous units. Fixtures are intended for indoor use only and must be stored and installed in a climate controlled area to remain within specified limits.



profile & optical distribution

Hidden light sources and a reflective arch deliver low-glare illumination



optical distribution

100% direct optical distribution. The fixture utilizes two light sources aimed at an arch finished in highly reflective eco-friendly paint to deliver a low-glare glowing illumination without needing plastic diffusers.

photometrics

uncompromised performance in a variety of color temperature and lumen outputs.

configuration	delivered lumens (lm/ft)		
	direct	power (W/ft)	efficacy (lm/W)
low	300	3.2	94
med	650	6.9	94
high	1000	10.8	92

remote mounting of drivers

Wire size (max distance from canopy to drivers)

20 AWG - 50'

18 AWG - 80'

16 AWG - 125'

14 AWG - 200'

*Drivers must be accessible after installation.

*One driver per 8' section

*Option for gang of drivers in a remote location.

transparent to the core

wood sourcing

The wood is sourced sustainably in compliance with AHEC (American Hardwood Export Council) regulations from the State of Pennsylvania and has the optional ability to be provided with FSC certified chain of custody.

wood processing

The wood frame is furniture-grade dried wood at 7-8% moisture content, tested to numerous QC standards to ensure its minimum stress, the right humidity uniformity, and exceeds the grading standards for FAS Lumber. The wood is processed via continuous moulding cutting processes to ensure consistent characteristics. The wood end caps are made from matching wood formed via a precision CNC milling process.

wood housing

The primary body consists of a continuous wood perimeter frame with wood endcaps and an open optical reflector cavity finished in high reflectance bright white.

wood finishes

Wood body and endcap finish options include non-toxic, bioderived wood finishes, pigmented stains, semi-opaque pigmented paint, or highly opaque paint. All paint options and reflective surfaces utilize air-purifying paint which neutralizes chemicals, pollutants, and VOCs for improved indoor air quality.

natural wood glue

Gelatin glue and jelly glue are the modern terms for protein-based adhesives. Additional ingredients include water, Epsom salts, corn sugar, and glycerin. Non-toxic, recyclable and eco-friendly.

wool felt pad

Biodegradable, naturally dyed, 100% wool. Creates distinctive contrasting design feature while preventing any light leakage at end cap joint.

LED engine

Flexible PCB with mid-power LED packages adhered to fixture body in continuous rows. LED engine can be easily stripped from fixture at end of life without removing any fasteners.

power supply

Remote driver solution with multiple mounting options.

