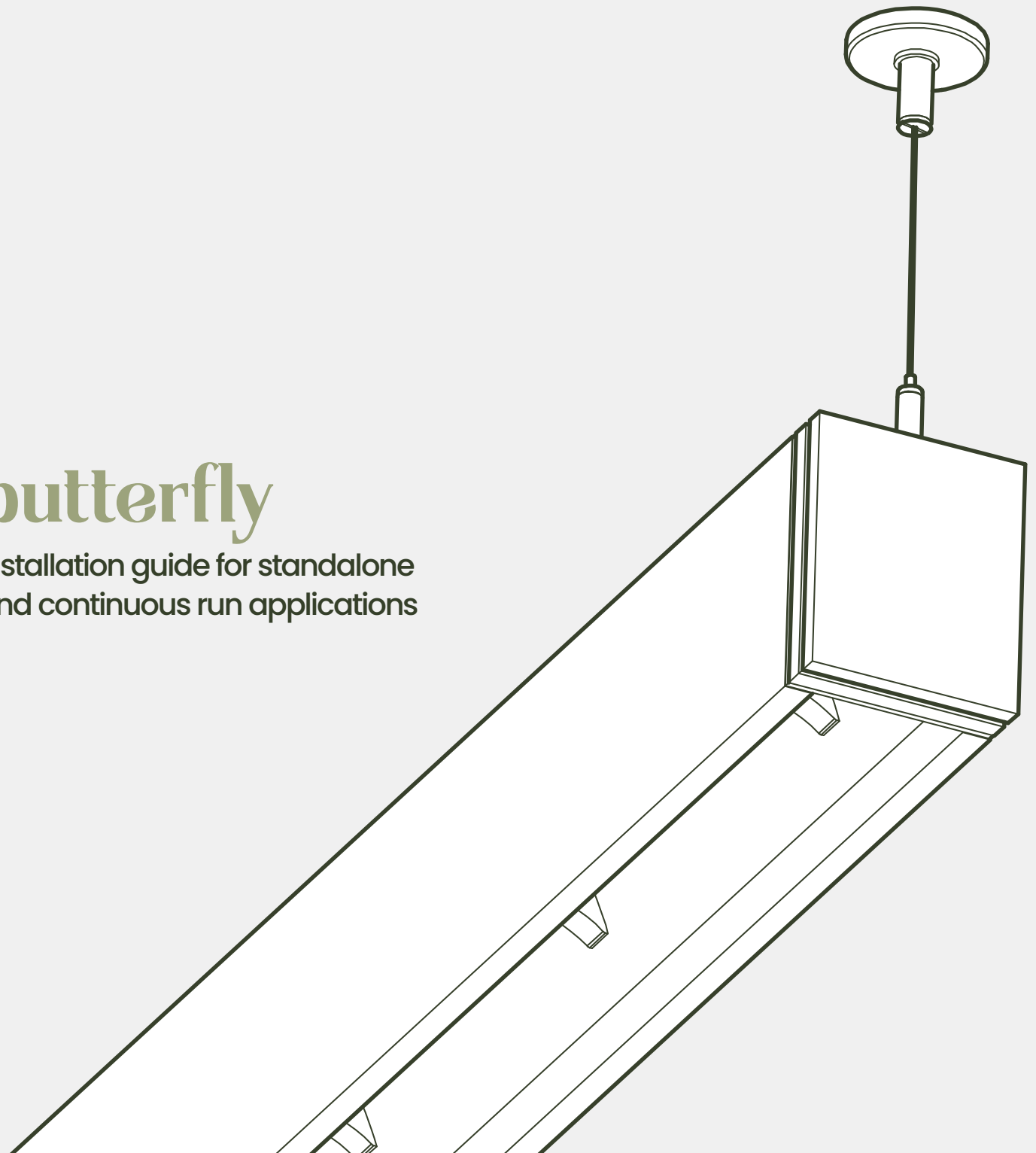


lightly

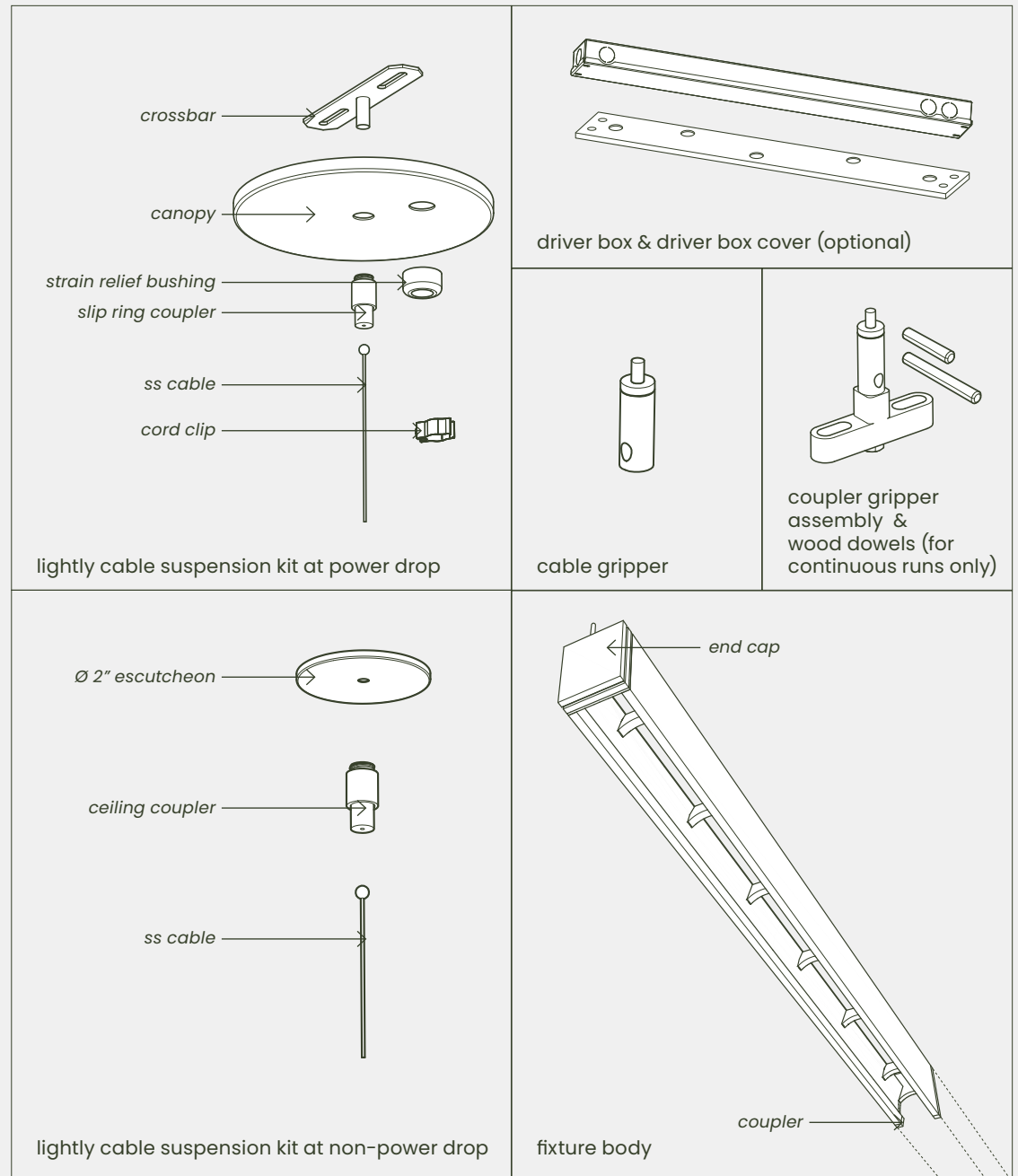
butterfly

installation guide for standalone  
and continuous run applications



# what's provided?

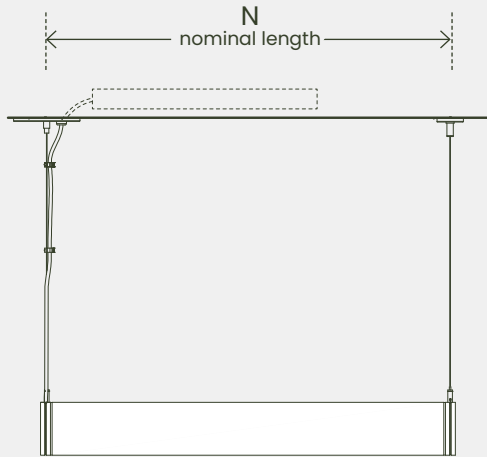
- Installation must be performed by a licensed electrician familiar with all local codes and relevant site requirements. Site conditions suitable for the specified product and adherence to code are the responsibility of installer.
- Follow the installation instructions provided. Failure to follow provided installation instructions could result in product damage or failure.
- Before installing, inspect luminaire, power wire, and suspension cordage for any damage that may have occurred during transport and unpacking. Do not install damaged product or components.
- To avoid electric shock always disconnect power when installing or servicing fixture.
- Ceiling conditions, support structure, and appropriate fasteners for ceiling substrate must be adequate for fixture weight and specifications.
- It is highly recommended to handle wood product with nitrile or other non-marring gloves.
- Clean wood surfaces only with dry cloth. Do not use water, solvents, or abrasive pads as they could permanently damage the natural wood finish.



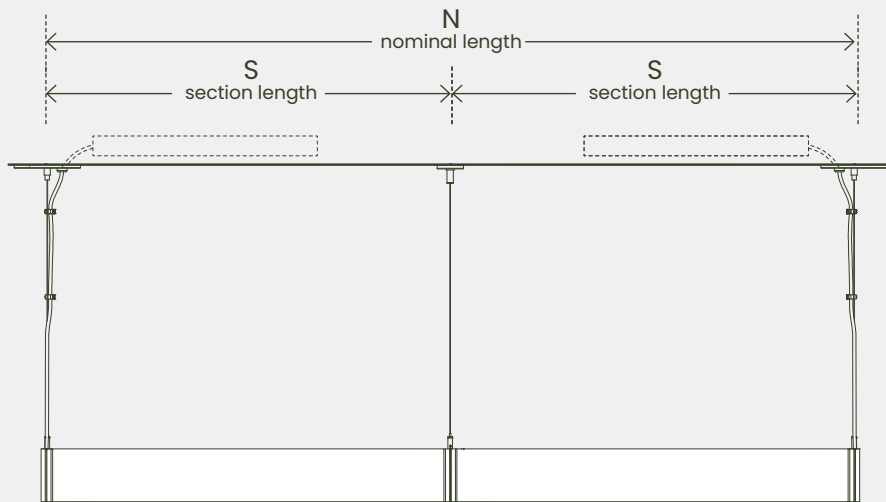
# 1

## Mount suspension assemblies to ceiling structure:

Use fixture nominal length (N) to locate suspension mounting points. Standalone runs require 2 canopies while continuous runs require 3 or more.

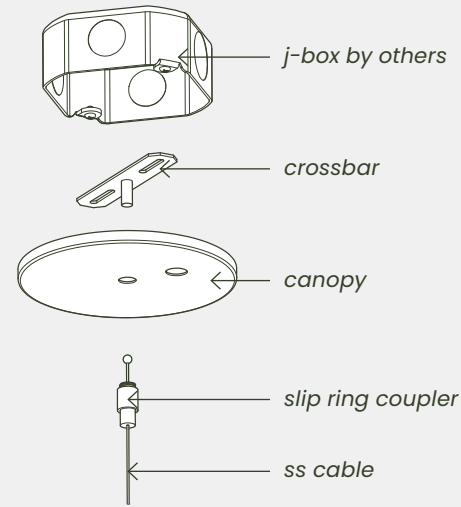


standalone run

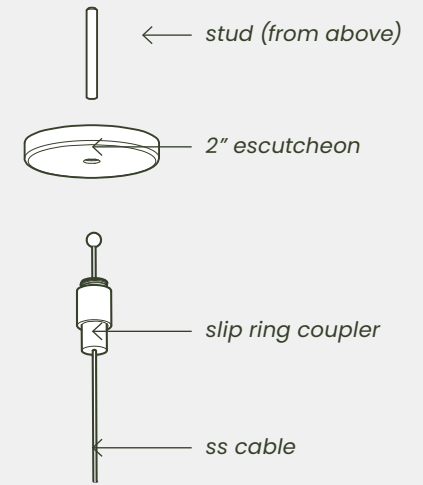


continuous run

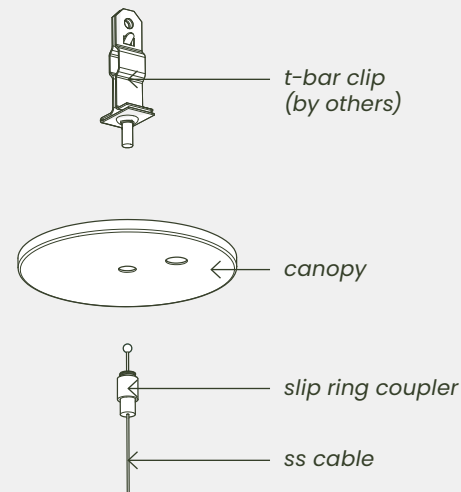
### for mounting to j-box:



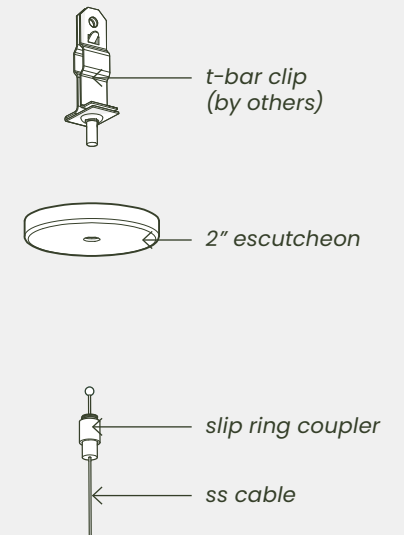
### for suspension only mounting:



### for T-bar grid ceiling (power drop):



### for T-bar grid ceiling (suspension only):

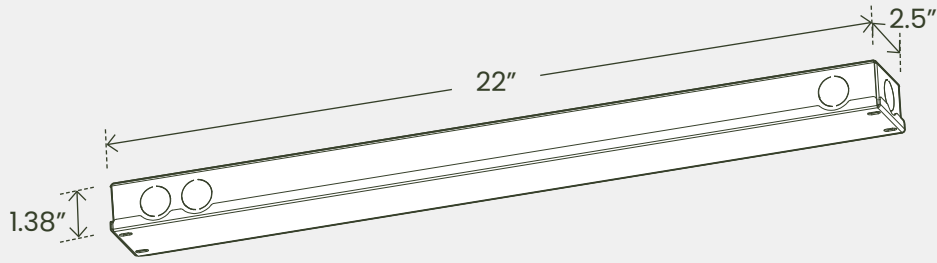


# 2

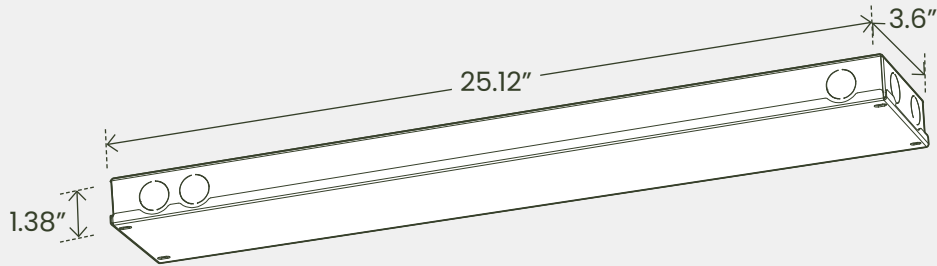
## Install driver box:

Driver may be installed to face of ceiling or at remote location.

(Refer to driver box installation guides for more details)

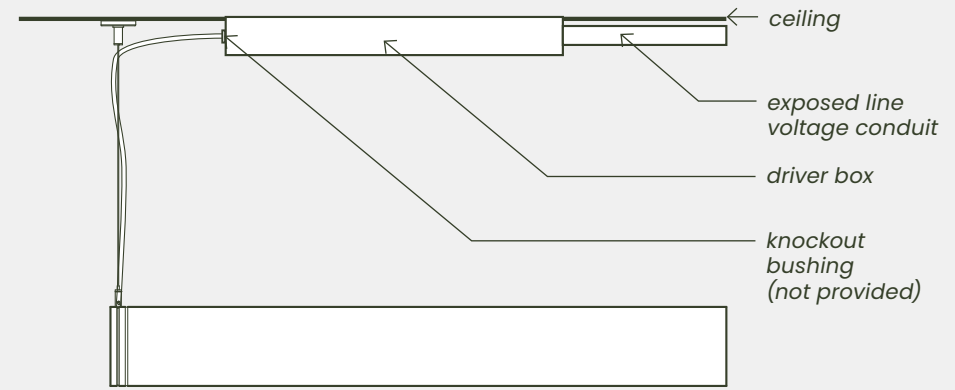


*1up driver box  
for static white applications*

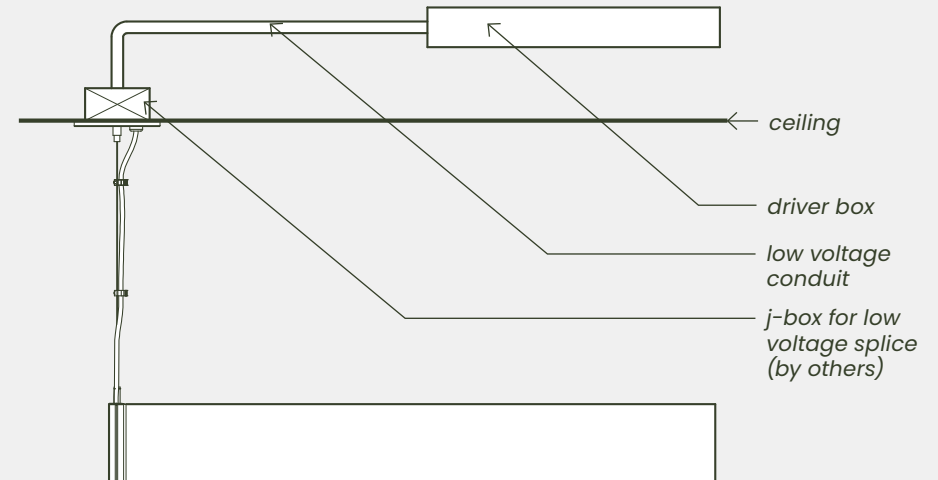


*2up driver box  
for tunable white applications*

## ceiling mount installation:



## remote mount installation over j-box:

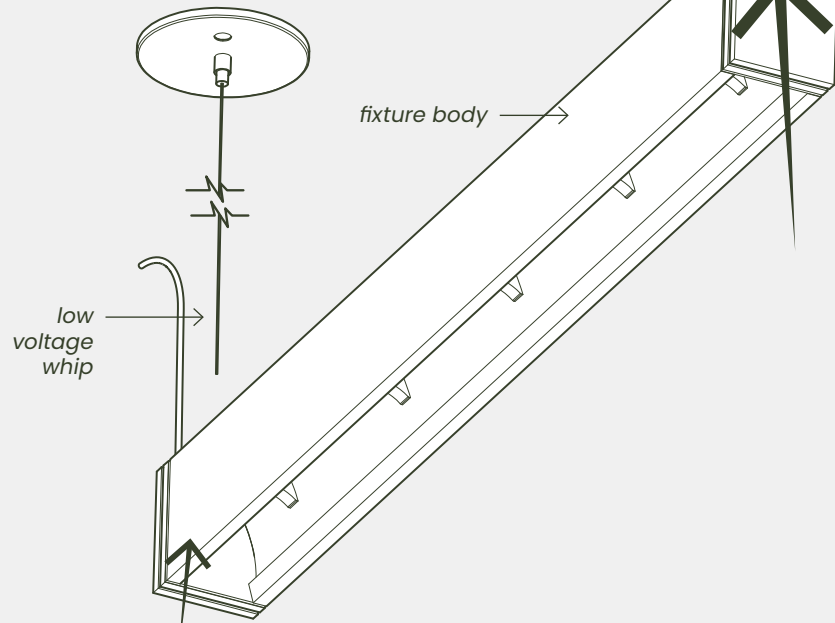
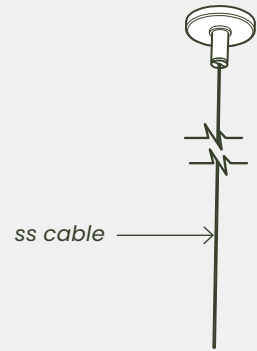
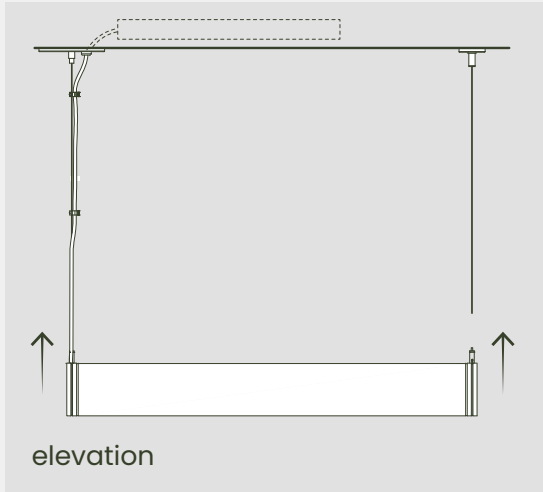


3

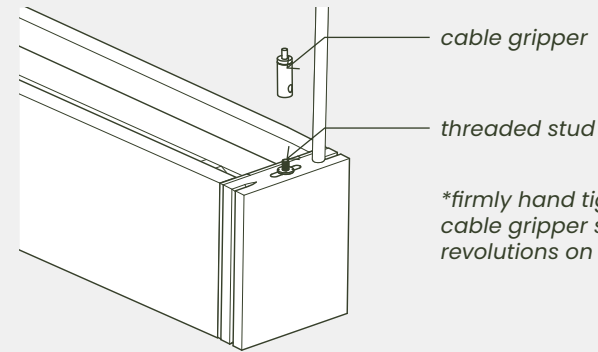
(suspension to endcap connection)

### Attach fixture body to suspension assemblies:

Secure cable gripper to end cap and ss cable to cable gripper as indicated.

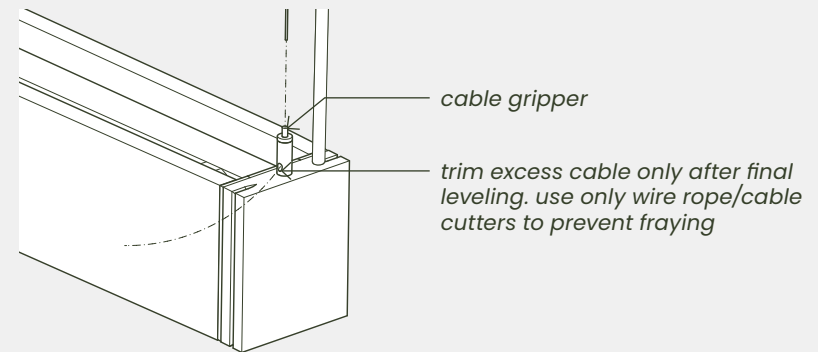


#### a. thread cable gripper on threaded stud:

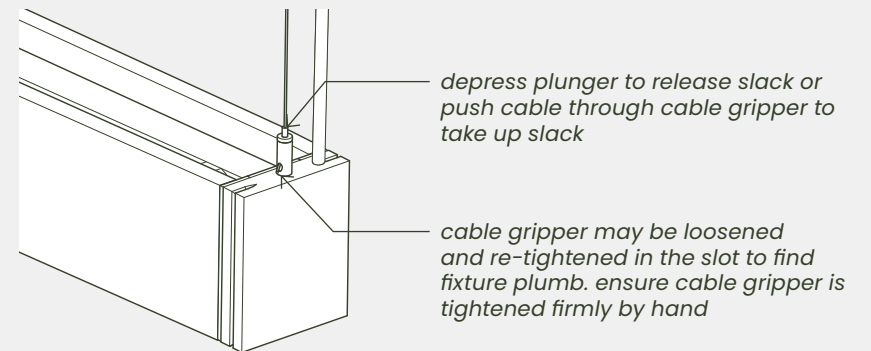


*\*firmly hand tighten. cable gripper should engage at least 5 revolutions on threaded stud*

#### b. insert ss cable through cable grippers:



#### c. level fixture body using cable grippers:

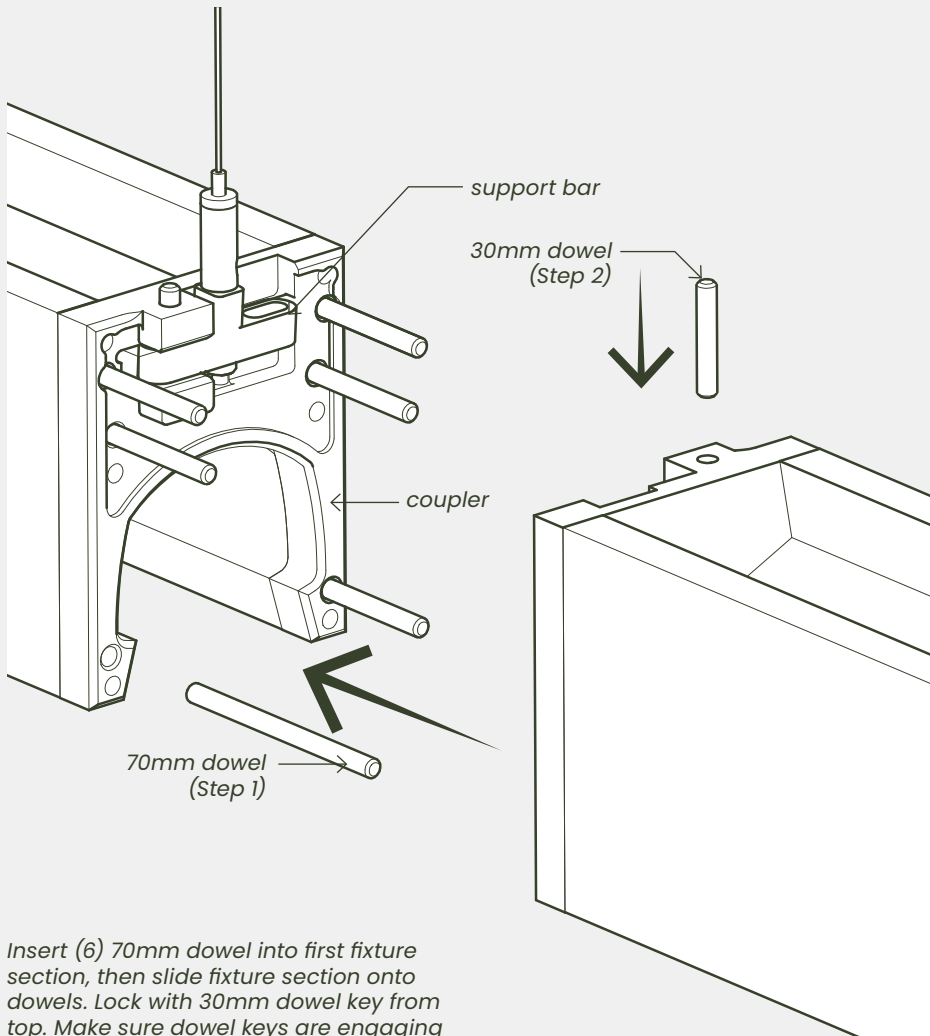


4

(for coupler installation)

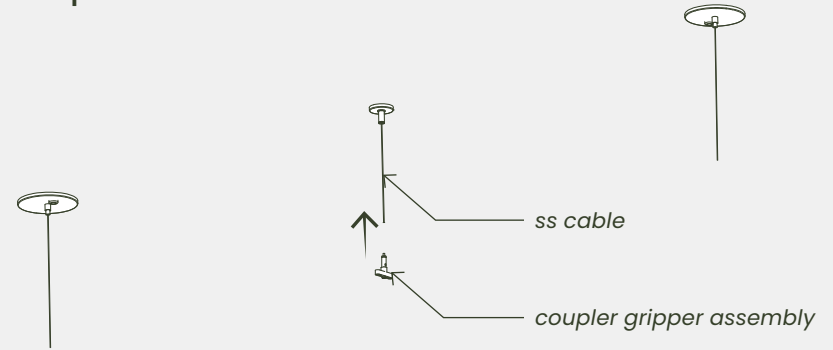
### Add fixture runs by connecting couplers to one another:

After the first and second suspension assemblies are installed, repeat steps 4a-4c for every additional fixture section.

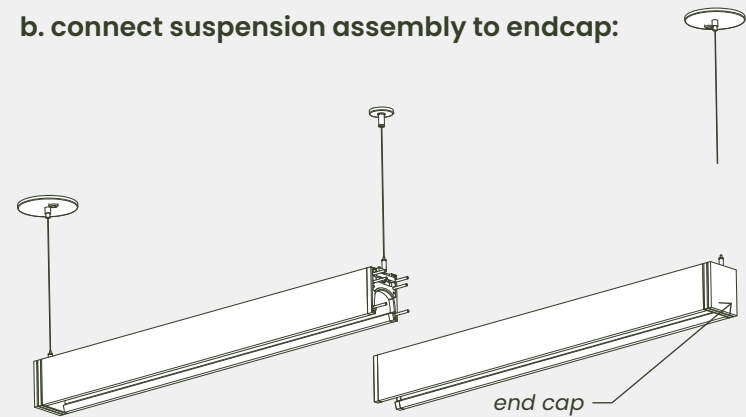


Insert (6) 70mm dowel into first fixture section, then slide fixture section onto dowels. Lock with 30mm dowel key from top. Make sure dowel keys are engaging the support bar.

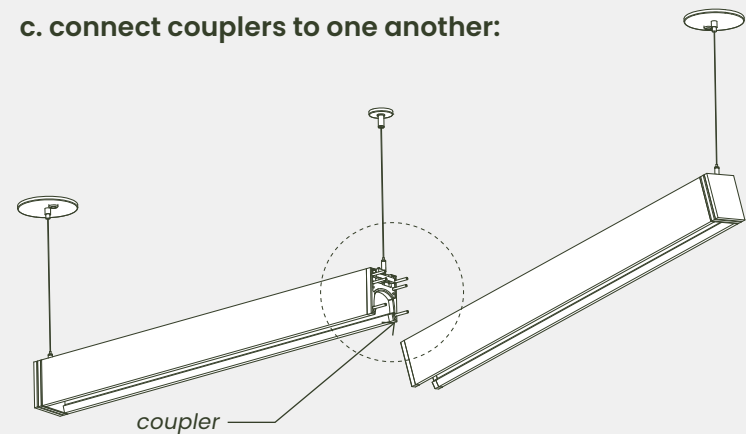
### a. attach coupler gripper assembly to cable at locations where coupler connection occurs:



### b. connect suspension assembly to endcap:



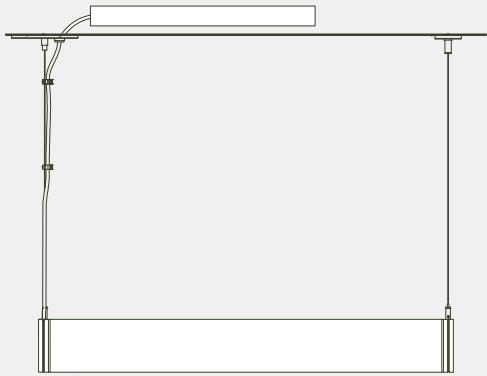
### c. connect couplers to one another:



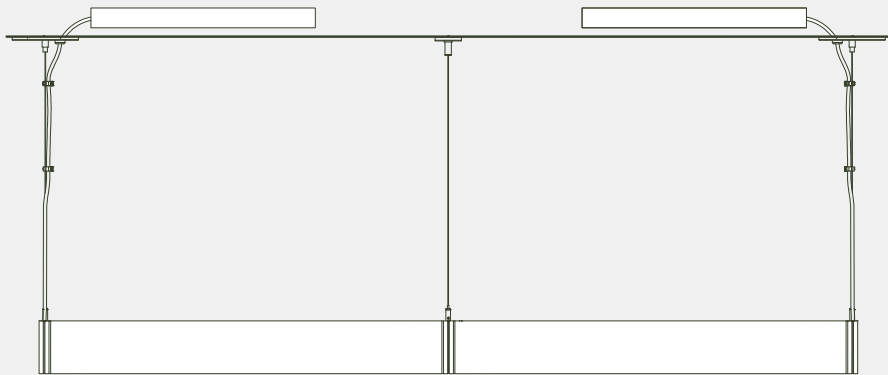
5

**Connect to power:**

Run low voltage whip to driver box or low voltage connection in j-box. Make connections as indicated in wiring guide.

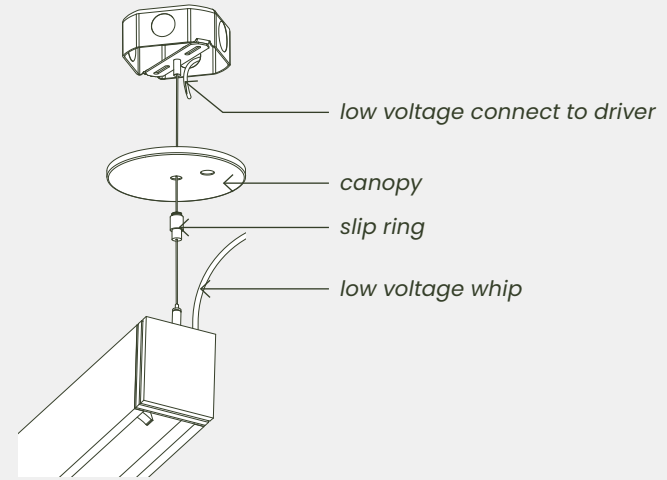


standalone run

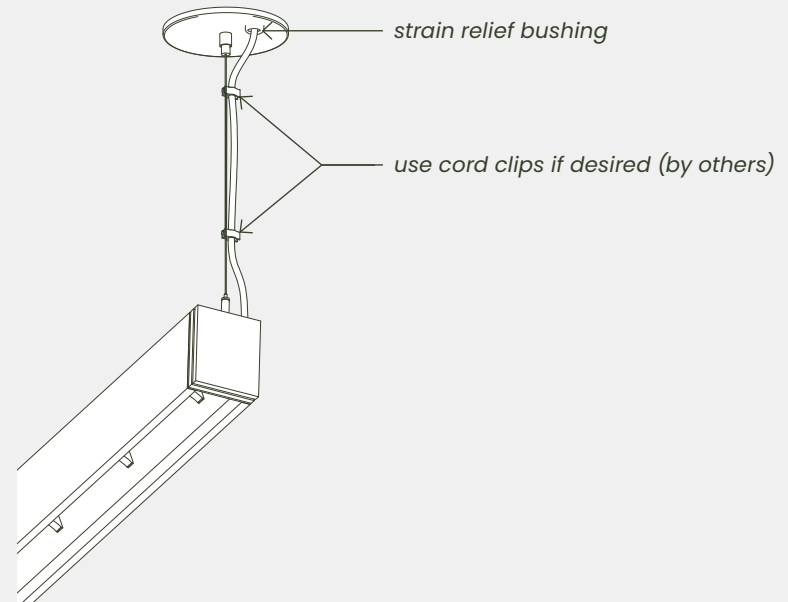


continuous run

**a. low voltage connection in j-box:**



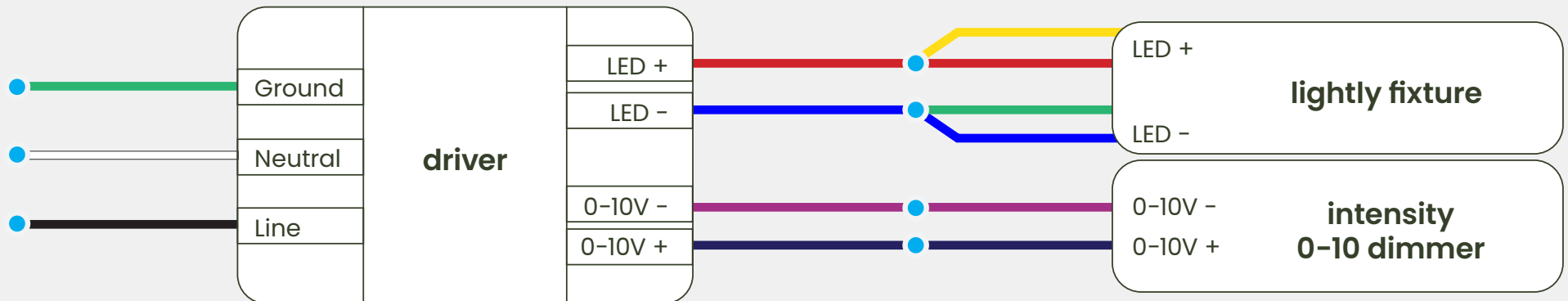
**b. organize power cord:**



# wiring guide

**Do not connect lightly unit directly to line voltage. This will result in permanent damage and all warranty will be void.**

**static CCT**  
0-10V control

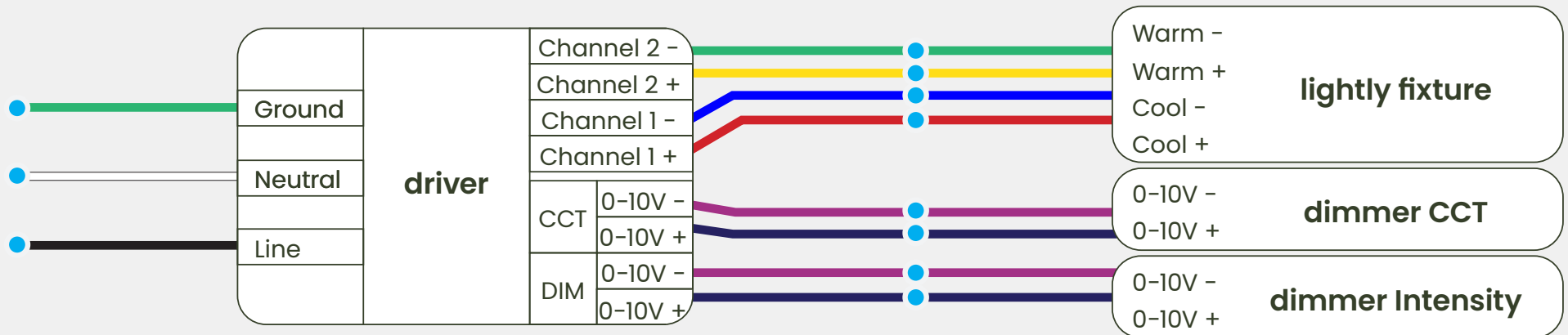




# wiring guide

**Do not connect lightly unit directly to line voltage.** This will result in permanent damage and all warranty will be void.

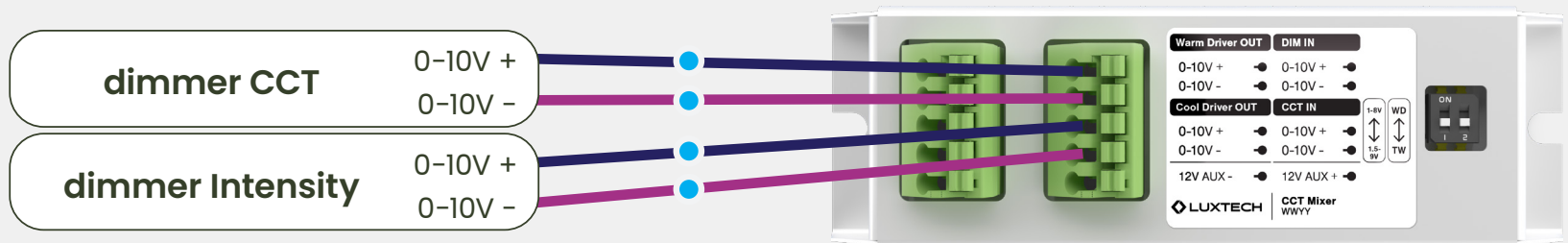
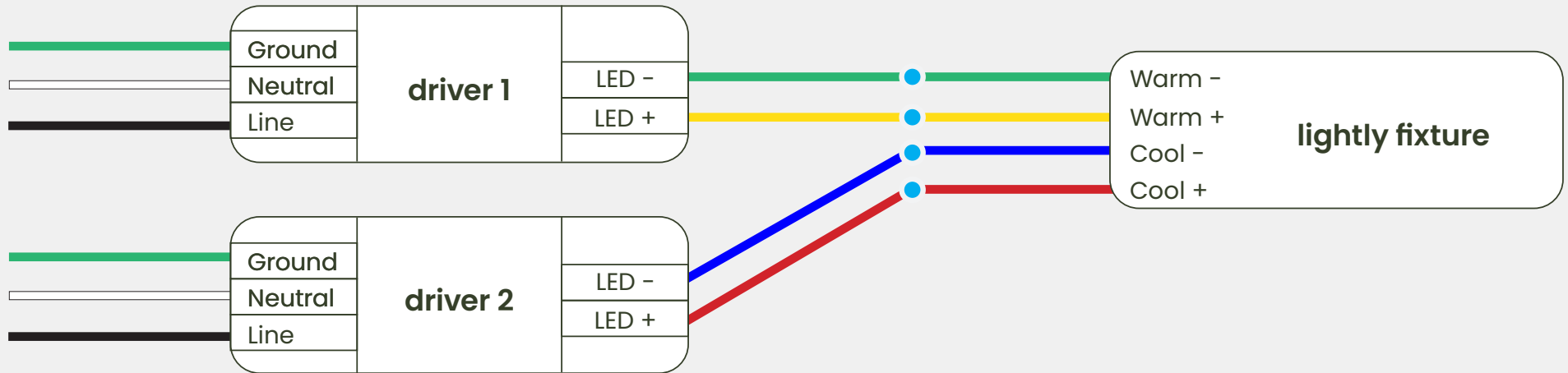
**tunable white (fixture <50W)**  
0-10V control



# wiring guide

**Do not connect lightly unit directly to line voltage. This will result in permanent damage and all warranty will be void.**

tunable white (fixture >50W)  
0-10V control



**Note:** CCT Mixer Device is installed by Lightly and pre-wired to the LED Drivers. Only the wire connections required to be made by EC are displayed.