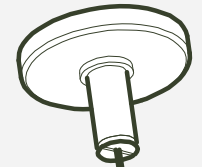


lightly

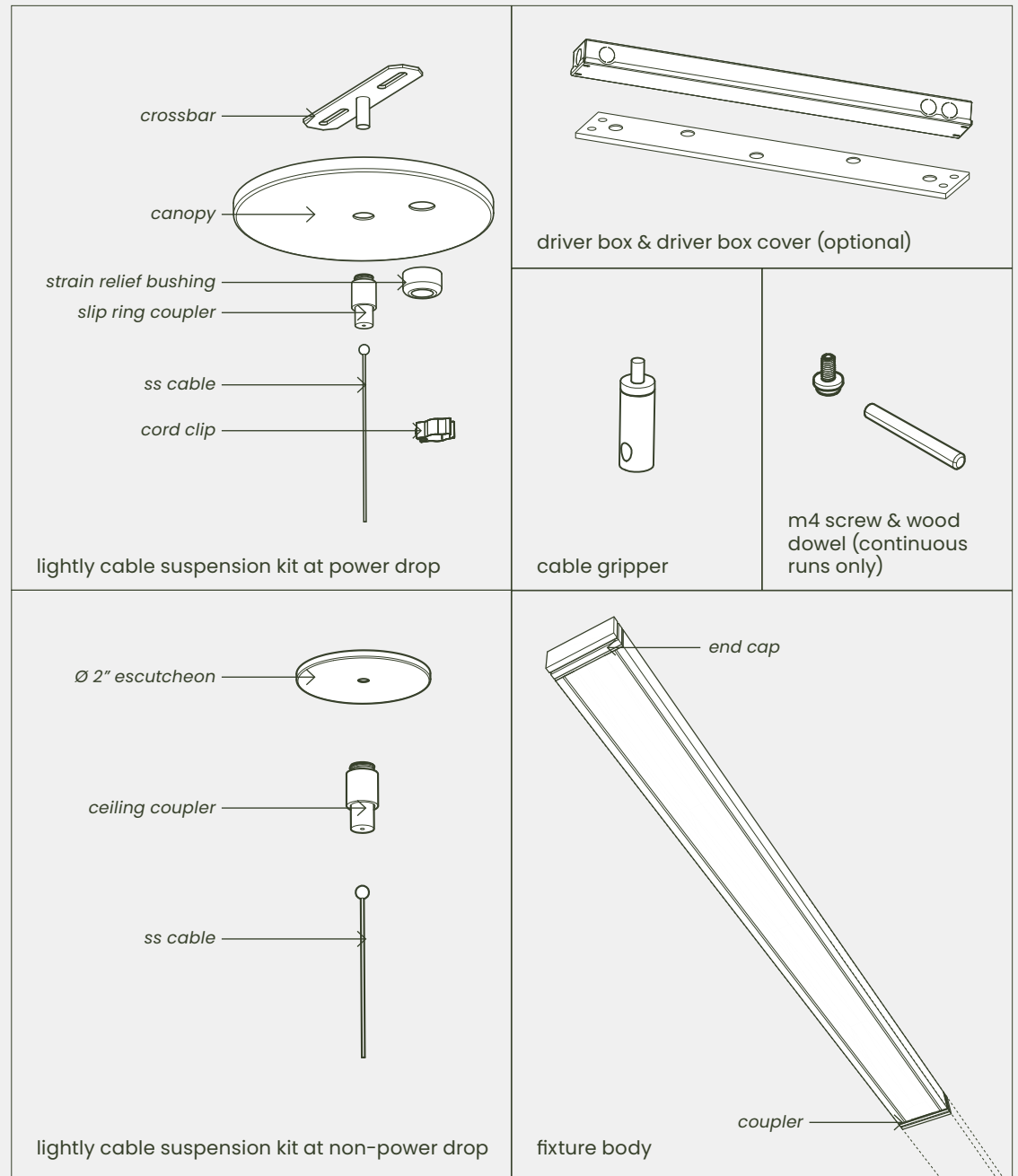
glow

installation guide for indirect
standalone applications



what's provided?

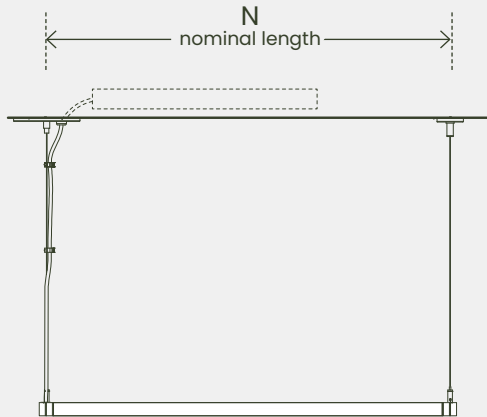
- Installation must be performed by a licensed electrician familiar with all local codes and relevant site requirements. Site conditions suitable for the specified product and adherence to code are the responsibility of installer.
- Follow the installation instructions provided. Failure to follow provided installation instructions could result in product damage or failure.
- Before installing, inspect luminaire, power wire, and suspension cordage for any damage that may have occurred during transport and unpacking. Do not install damaged product or components.
- To avoid electric shock always disconnect power when installing or servicing fixture.
- Ceiling conditions, support structure, and appropriate fasteners for ceiling substrate must be adequate for fixture weight and specifications.
- It is highly recommended to handle wood product with nitrile or other non-marring gloves.
- Clean wood surfaces only with dry cloth. Do not use water, solvents, or abrasive pads as they could permanently damage the natural wood finish.



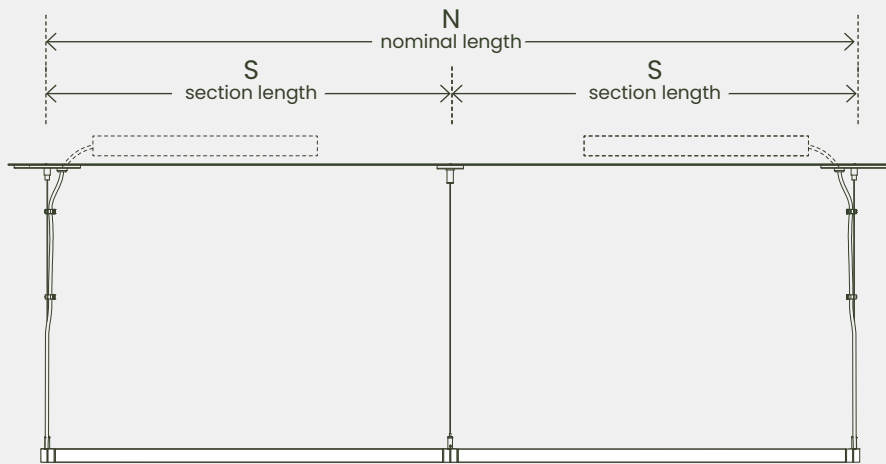
1

Mount canopy tops to ceiling structure:

Use fixture nominal length (N) to locate suspension mounting points.

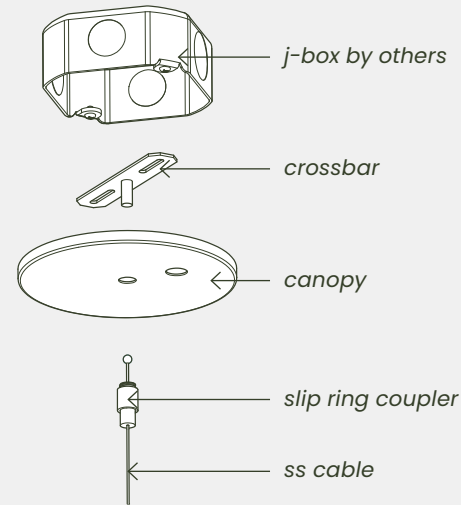


standalone run

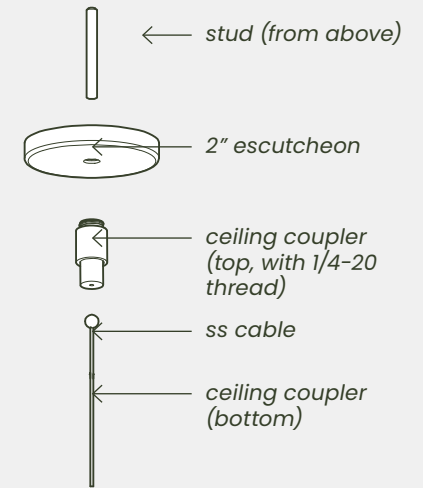


continuous run

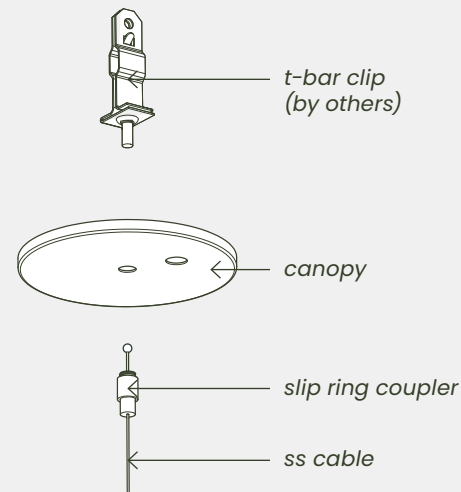
for mounting to j-box:



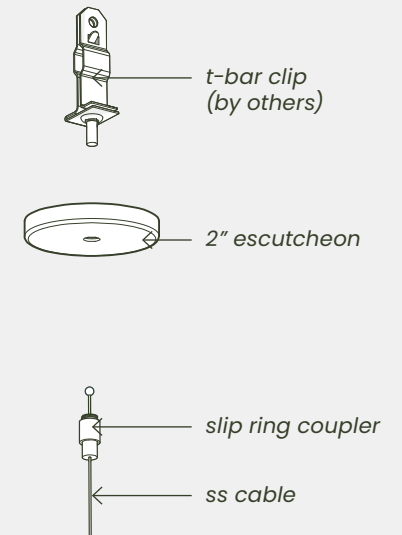
for suspension only mounting:



for T-bar grid ceiling (power drop):



for T-bar grid ceiling (suspension only):

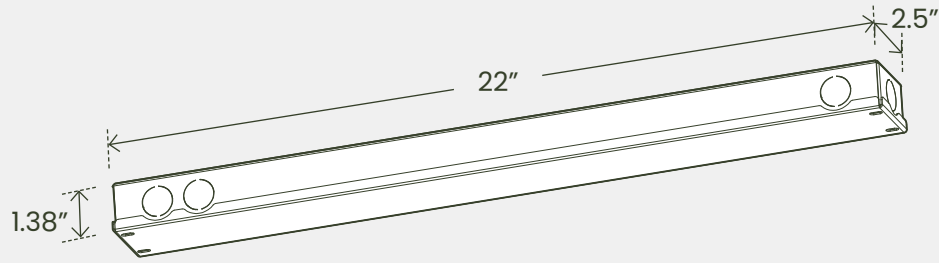


2

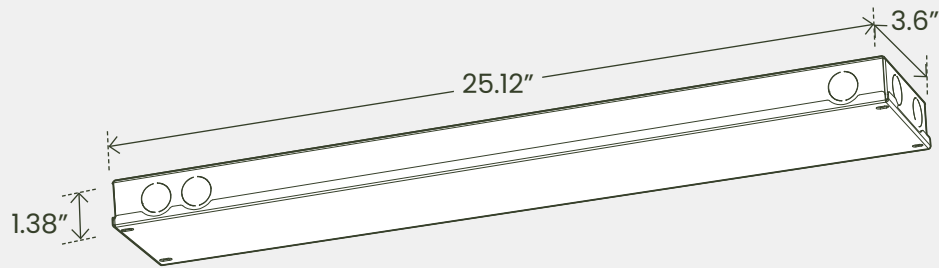
Install driver box:

Driver may be installed to face of ceiling or at remote location.

(Refer to driver box installation guides for more details)



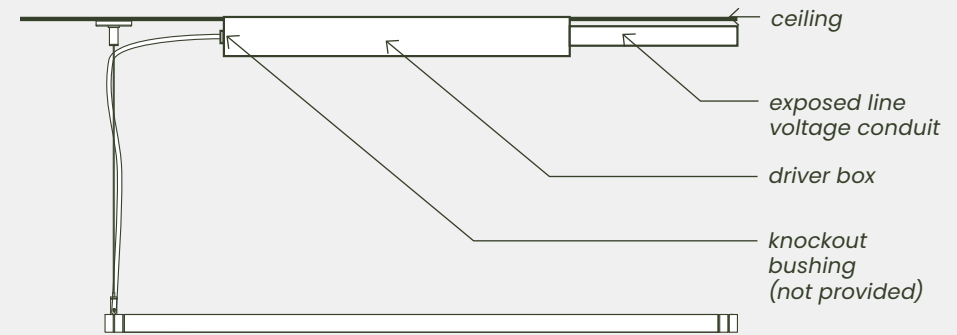
1up driver box
for static white applications



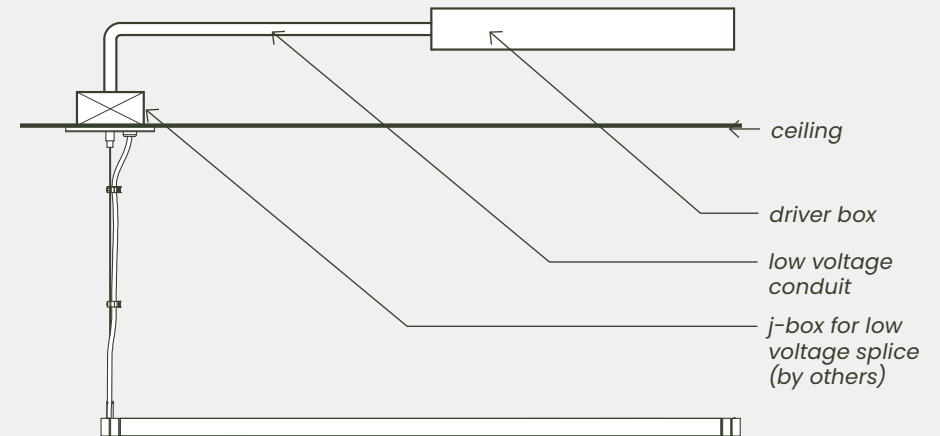
2up driver box
for tunable white applications

4up driver box
for emergency battery option
and custom applications

ceiling mount installation:



remote mount installation over j-box:

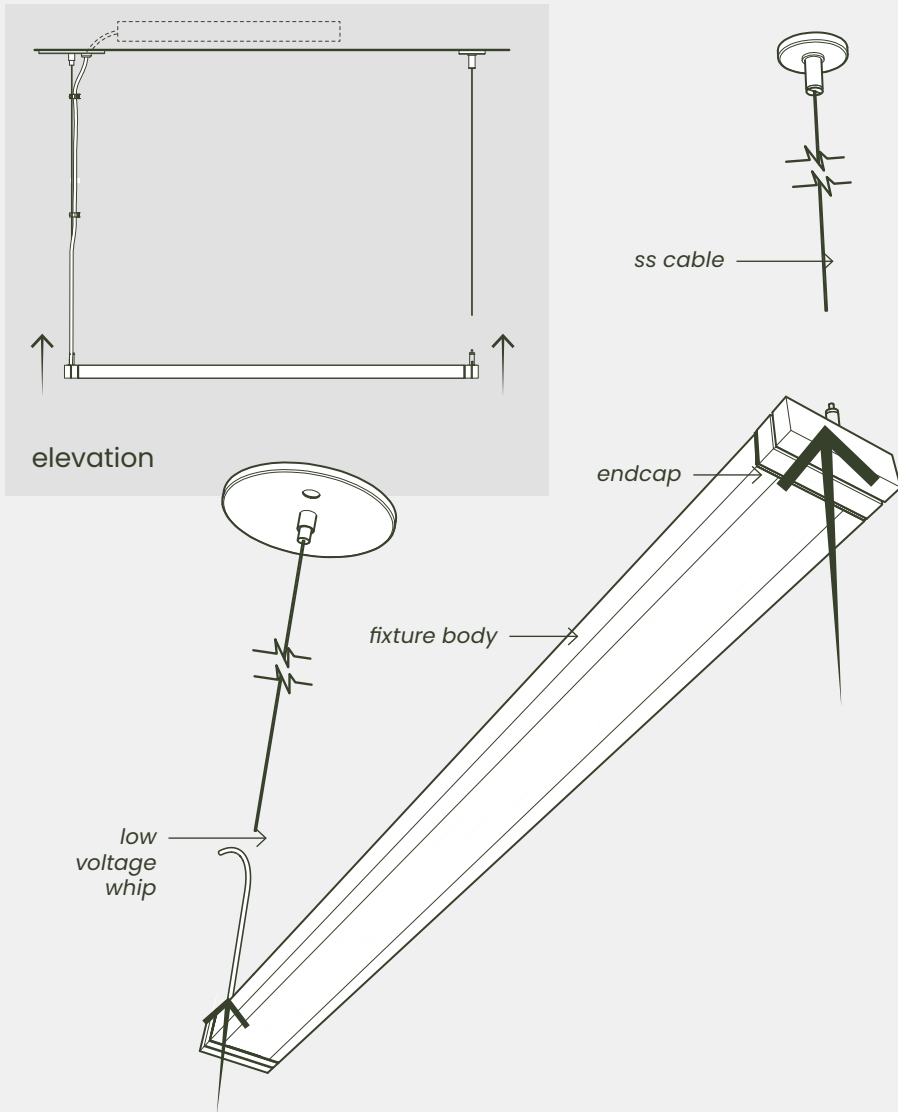


3

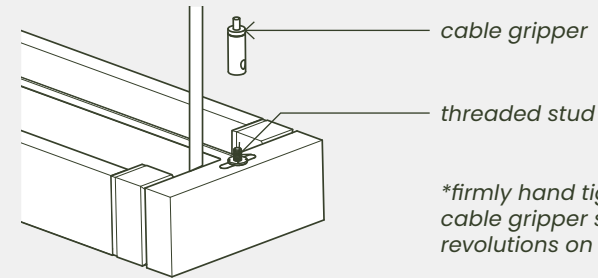
(suspension to endcap connection)

Attach fixture body to suspension assemblies:

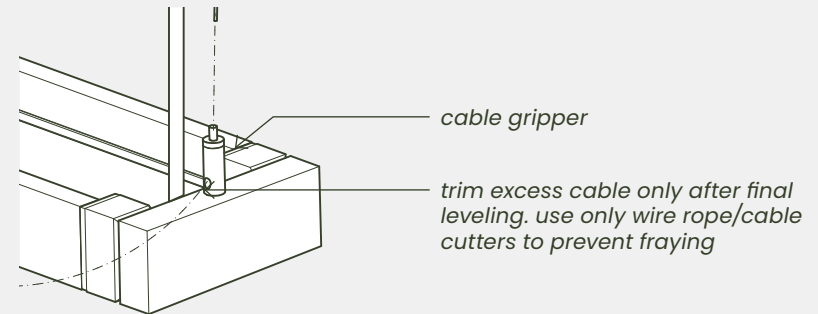
Secure ss cable to cable gripper as indicated.



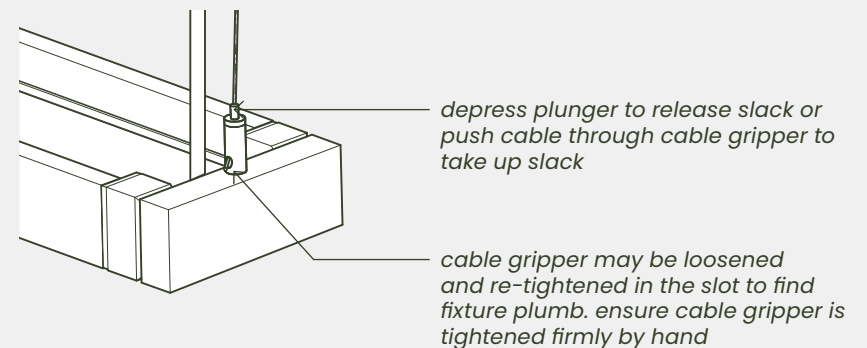
a. thread cable gripper on threaded stud:



b. insert ss cable through cable grippers:



c. level fixture body using cable grippers:



4

(for coupler installation)

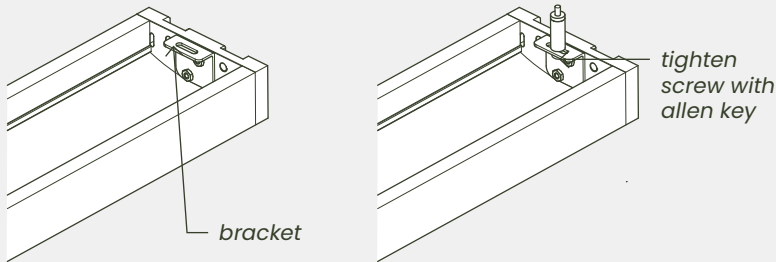
Add fixture runs by connecting couplers to one another:

After the first and second suspension assemblies are installed, repeat steps 4a-4d for every additional fixture section.

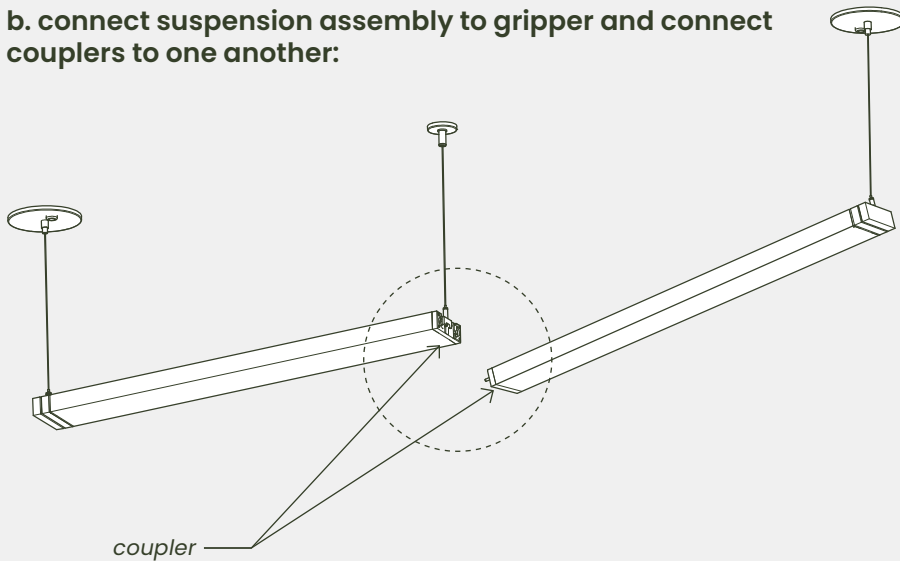
a. connect cable gripper to bracket via M4 screw:

 cable gripper

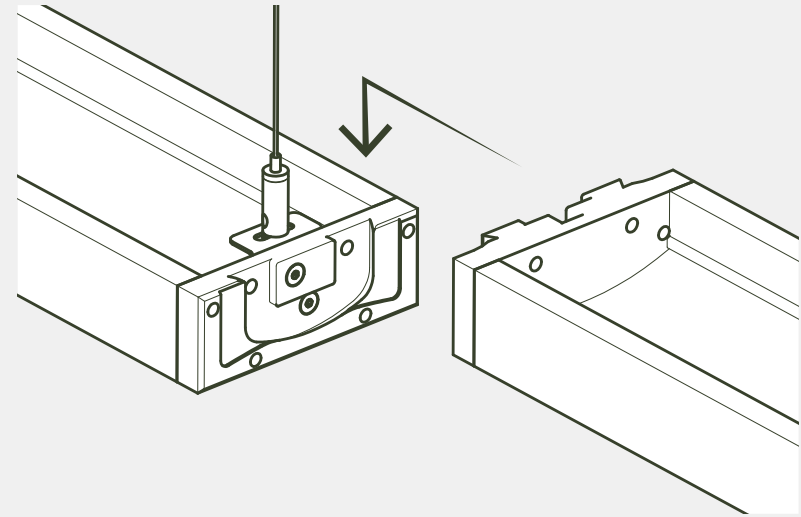
 M4 screw



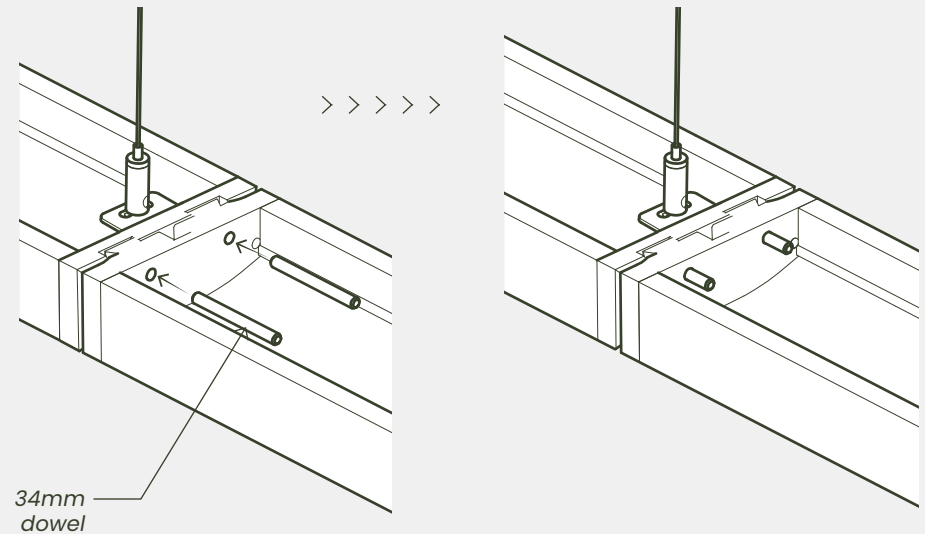
b. connect suspension assembly to gripper and connect couplers to one another:



c. connect fixture sections via dovetail coupler feature:



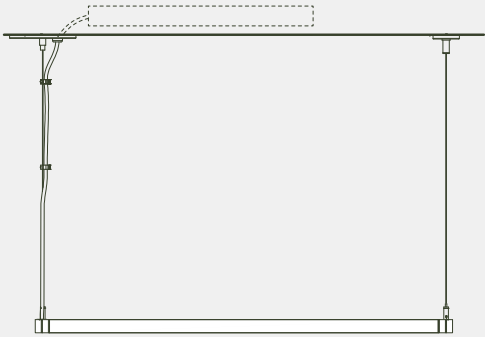
d. lock connection with 2x 34mm dowel key:



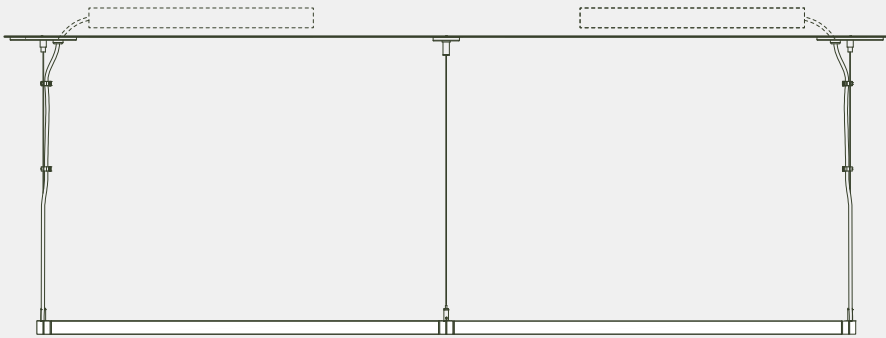
5

Connect to power:

Run low voltage whip to driver box or low voltage connection in j-box. Make connections as indicated in wiring guide.

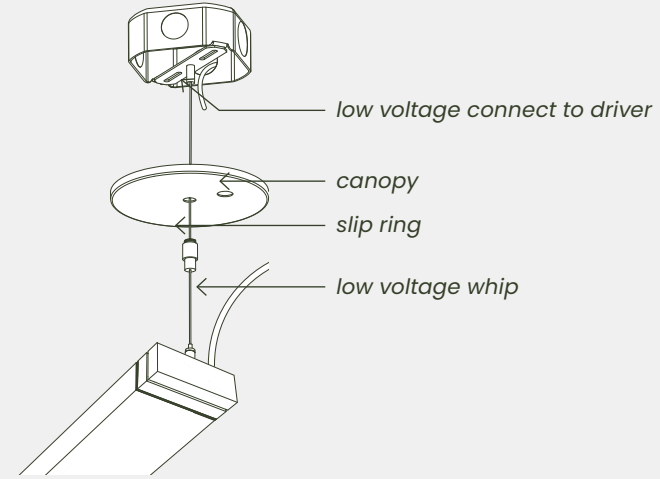


standalone run

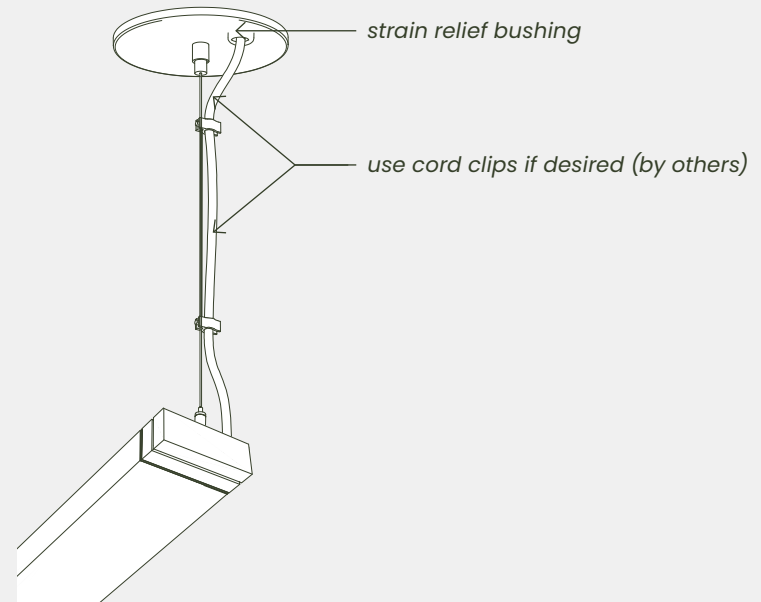


continuous run

a. low voltage connection in j-box:



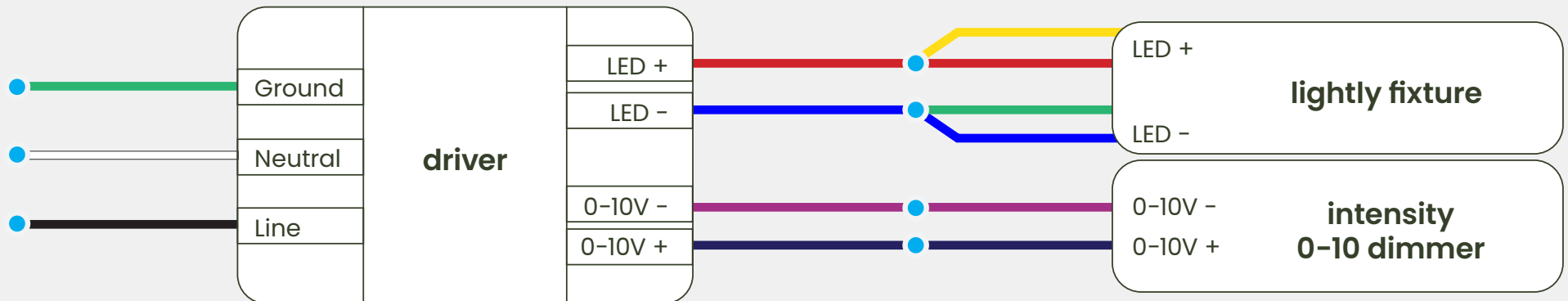
b. organize power cord:



wiring guide

Do not connect lightly unit directly to line voltage. This will result in permanent damage and all warranty will be void.

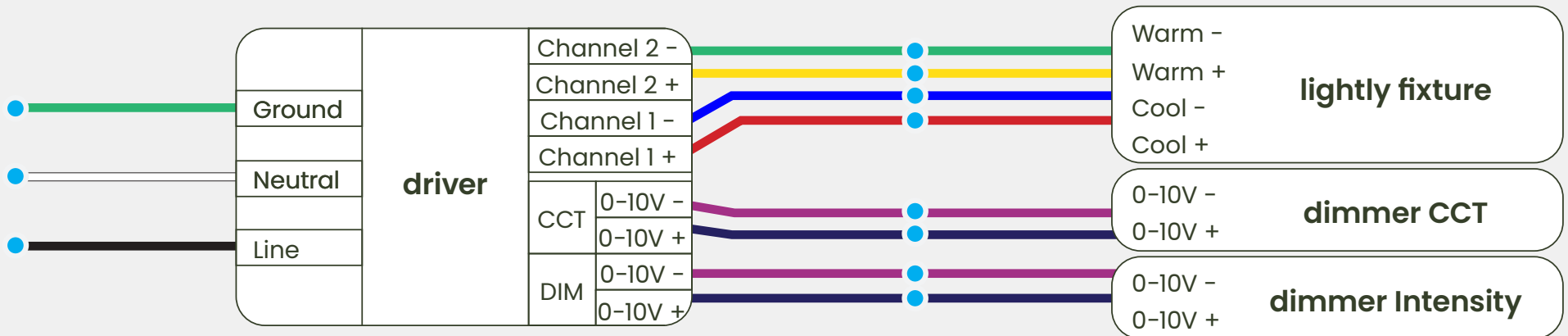
static CCT
0-10V control



wiring guide

Do not connect lightly unit directly to line voltage. This will result in permanent damage and all warranty will be void.

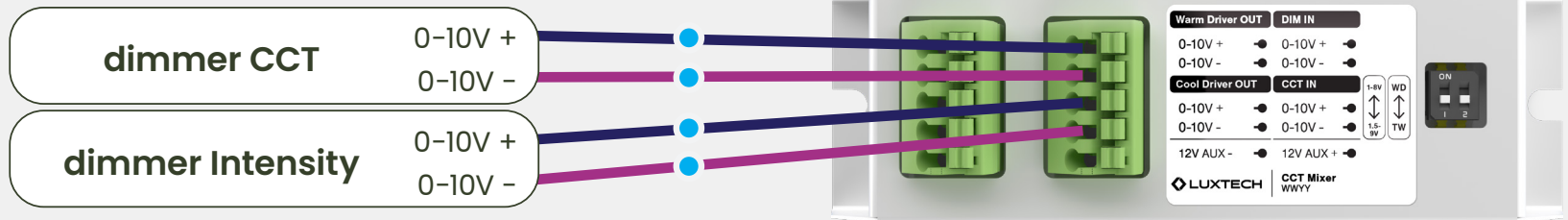
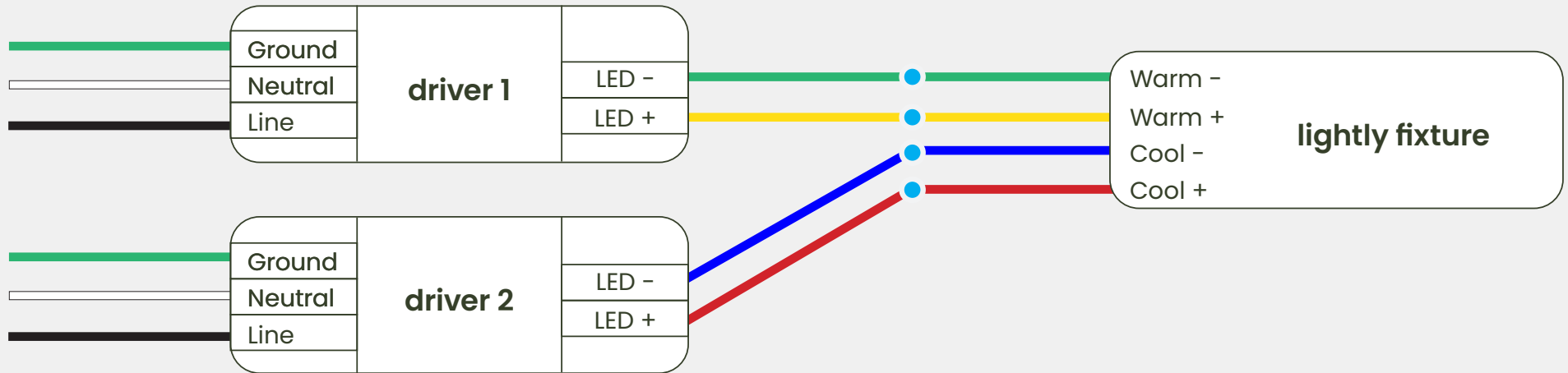
tunable white (fixture <50W)
0-10V control



wiring guide

Do not connect lightly unit directly to line voltage. This will result in permanent damage and all warranty will be void.

tunable white (fixture >50W)
0-10V control



Note: CCT Mixer Device is installed by Lightly and pre-wired to the LED Drivers. Only the wire connections required to be made by EC are displayed.